



# HAM HUM

Published by  
AK-SAR-BEN RADIO CLUB, INC. - Omaha 1, Nebr.  
Post Office Box 291 - Downtown Station



Vol. XIV  
No. 1

January 1964

## ANNUAL MEETING

As a result of the annual meeting in December, the following were elected to the Board of Trustees for 1964:

### President

Louis A. Cutler, WØVLI  
(1964-65)

### Vice President

Ralph E. Erts, WØSMY  
(1964)

### Past President

Joseph F. Berounsky, KØQDB  
(1964)

### Executive Council

Edmond E. Donze, WØYEV  
Treasurer (1964-65)  
Dick L. Eilers, WØYZV  
Secretary (1964-65)  
Wendell M. Larsen, WØNPA  
(1964)

Robert E. Margritz, WAØBIE  
(1964)

### (Executive Council - cont'd)

Alan McMillan, WØJJK  
(1964-65)  
John W. Orr, WØPHW  
(1964-65)  
Lawrence F. Caccomo, WØNMN  
(1964)  
George R. Cherney, KØMGX  
(1964)

Wendy Larsen, WØNPA, and Bob Margritz, WAØBIE, remain on the Executive Council for another year. Ralph Erts, WØSMY, having been elected Vice President, was replaced on the Executive Council by the selection of George Cherney, KØMGX. Bob Dickson, KØIAM, previously resigned and Larry Caccomo, WØNMN, was selected to replace him on the Executive Council.

## Past Presidents of the Club

1945 - N.P. Nelson  
1946 - John Leeder  
1947 - Art Gaeth  
1948 - Herb Curry  
1949 - Elmer Stein  
1950 - Doc Becker  
1951 - Earle Olson  
1952 - John Orr  
1953 - Ray Strange  
1954 - Frank Cooper

1955 - Art Stadler  
1956 - Dick Eilers  
1957 - Curt Hicks  
1958 - Ed Gutmann  
1959 - Dave Hollander  
1960 - Max McKinney  
1961 - John Droscher  
1962 - Royal Enders  
1963 - Joseph F. Berounsky

\*\*\*\*\*

**HAM HUM** is the official organ of the Ak-Sar-Ben Radio Club, Inc., of Omaha, Nebraska, mailed monthly to all members and to others upon request.



## THE PRESIDENT'S PAGE (December)

The 1963 Ak-Sar-Ben Radio Club Christmas Party was held at the World Insurance Co. Building with a majority of members and their families in attendance.

It was gratifying to say the least, to have seen the magnificent turnout in spite of the cold weather. The XYL's with their youngsters came well prepared to spend the evening with a good time in mind. Once we became seated in our room the President called upon a solemn moment of silence and prayer for the late President which was conducted by Royal Enders. I am sure we all felt much relieved to carry on for the balance of the evening after this part of the program was performed. The entertainment provided for the kiddies was excellent, at least we heard no commotion while the movies were being shown.

Our next event on the agenda as introduced by the out-going President Joe Berounsky was the Dummy sitting on Entertainer Fred Weiner's knee. He gave us a very funny twenty minutes of entertainment.

From our own ranks we were led in song by Ed Gutmann who did an excellent job of leading the members

Published by  
AK-SAR-BEN RADIO CLUB, INC.  
Post Office Box 291  
Omaha 1, Nebraska  
Editor: Dick Eilers, WØYZV

HOME: 391-2255  
Phone BUSINESS: 342-1402 - EX. 32  
Assoc. Editor: John Snyder, WØWRT  
HOME: 556-1538  
Phone BUSINESS: 551-0669 - EX. 317

in spiritual songs....well, that took up most of the evening, but the best part of the program was held to the last with the exchanging of gifts. Plenty of gifts were on hand to go around two times if you were lucky.

The outgoing President introduced the new incoming President, Lou Cutler and the new Vice-Pres. Ralph Erts as well as the new Board members, namely: Ed Donze, Dick Eilers, Al McMillan and John Orr. It looks like the year of 1964 should be a very active one with the new Board members voted in to help your new President.

\*\*\*\*\*

The Grand Island, Nebr. gang says "we hear Omaha on 6 - but no response." Turn your beams West-South-West and listen. Usually on 9 P.M. Sunday at 50.4 Mc.

WØLEP - WØEXK - WØDLL  
(via Al - WØJJK)

\*\*\*\*\*

### FOR SALE:

Viking Ranger and Gonset G-40 - both for \$210.00. Call or write  
Larry Wade, KØRPT  
3816 Polk - 731-0570 or  
204 1st Street, W. Lincoln  
432-5716

\*\*\*\*\*

## THE PRESIDENT'S PAGE (January)

It is now official....that is, the ceremony of transferring the coveted gavel by the outgoing President, Joe BEROUNSKY, to the new incoming President, LOU CUTLER, to guide the destinies and programs of the AK-SAR-BEN RADIO CLUB, Inc.

Well, we opened our January meeting a little late which has been normal of course, with a new greeters table placed near the entrance door to extend a cordial welcome to the members and guests. A card printed with each name and call was made out with bold lines so that every one present would be able to acquaint himself with his fellow man. From my own experience, after ten years, I was able to see the names of my buddy Hams and YL's that I have worked on the air, but never was able to greet them eyeball to eyeball.

Our seating arrangement was also changed so that all had a better vantage point without sitting behind too many heads. I believe this was an improvement to the extent that you could see your speaker as well as the members present.

First on the agenda was the introduction of BOB RUYLE, WØFCH (first class ham) by AL McMILLAN, WØJJK. BOB, who represents the HY-GAIN ANTENNAS from Lincoln, Nebraska gave us a down-to-earth account of the VHF Yagi. After a very interesting presentation on this subject for approximately one hour and a very attentive audience, a question and answer period followed for another thirty minutes. I believe those interested in VHF left the meeting with a much better understanding of the antenna. Following a

brief stretch and a breath of fresh air, we heard from HUGH TINLEY, KØGHK, who recently returned from PHOENIX, ARIZ. and a personal visit with BARRY GOLDWATER who is also a ham. HUGH always does a bang-up job on his contacts with the public and to say his rapid fire delivery augmented with color slides of this trip was most fascinating. I hope others will get to see these slides of BARRY'S "SHACK." On the lighter side for the balance of the evening, the informal introduction of each OM member and YL or XYL as well as any GUESTS.

A drawing for two VHF BEAMS donated by the HY-GAIN PRODUCTS of Lincoln were won by ELMER BURT, KØDFJ and CHET DOLL, KØPTG. WE hope that ELMER will get on two meters and CHET will get on six meters. Good luck fellows. After this event on the program we called for an adjournment to the meeting so that the coffee and doughnuts could get their attention. With the exchange of eyeball contacts with each other while holding a cup of hot coffee in one hand and several doughnuts in the other, the meeting came to a close.

I hope to see you all again at the February meeting with a new prospect or guest which will help make this meeting a success. I am informed by the Program Chairman that the session will be most interesting and informative. Come 'yall.

73 Lou Cutler, WØVLI  
President  
Ak-Sar-Ben Radio Club, Inc.  
\*\*\*\*\*

3402 Mono Drive  
Riverside, California

Xmas comes but once a year  
The only time you're sure to hear  
FROM THE HOLLANDERS

We've come from England and the rain  
That country's loss was this state's  
gain.

We landed in this sunny clime  
Then settled in for a long, long time.

But just last week we got the word  
'Retire next year' is what we heard.

The month of June is cut-off date  
We're a dollar short, a day too late.

Wish we knew what lay in store  
In the coming year of '64.

The twins are grown and seniors now  
September sees their college bow.

What school they choose depends a  
lot

On what job their father's got.

Right now it's all up in the air  
We know not what, we know not where.

Pearl feels better, if not fine  
We still can't make her toe the line.

Too much bridge, cigarettes galore  
Just as stubborn as before.

This thing could go forever on  
About whom we've seen, where we've  
gone.

But time grows short for mailing cards  
And cuts off words for aspiring bards.

Wish we all could have a personal  
meeting

To pass along this Season's Greeting.

Please let us have a word or two

Of how it goes with yours and you.

PEARL, DAVE,  
LAURA and LINDA  
WØCJY, WØCJW and Jr. Ops  
\*\*\*\*\*

**OFFICIAL BULLETIN NR 927  
FROM ARRL HEADQUARTERS  
NEWINGTON CONN DEC 12 1963  
TO ALL RADIO AMATEURS BT**

Attention DXers. Announcement is hereby made of the addition to the ARRL Countries list of the International Telecommunications Union Headquarters at Geneva. Confirmations for contacts with the ITU Headquarters at Geneva may be submitted for DXCC credit starting April 1, 1964. See February 1964 QST for further information. AR

\*\*\*\*\*

**NEW DEADLINE FOR HAM HUM**

Beginning with this January issue, HAM HUM will be issued following the regular monthly meeting of the Ak-Sar-Ben Radio Club, Inc. instead of prior to the monthly meeting. This will not affect the member except to get him his magazine enough prior to the meeting to be notification of that meeting. The deadline for copy, therefore, will be the meeting night. So any item you cannot send in to P. O. Box 291 bring to the meeting and give to the secretary.

It is for this reason that you will find in this issue two articles titled "THE PRESIDENT'S PAGE," — one for December and one for January.

\*\*\*\*\*



## AN OPEN LETTER TO ALL MEMBERS OF THE AK-SAR-BEN RADIO CLUB

As the year 1963 has ended and 1964 has been ushered in I would like to take a moment to express my appreciation to the nominating committee in their selection and appointment of the new Board candidates to help me and serve under my term of office.

As we all know it takes a tremendous amount of work and effort on the part of many people to carry out the full program for the year. It also will take a lot of cooperation from the entire membership to achieve this program. I am grateful to the Board members, chairmen and their assistants in helping me share this responsibility for the coming year. Without their efforts, talents and "good old Ham spirit", the task of making these achievements possible would be too much for me.

With the New Year just starting, I also would like to make this special appeal for the members to bring their dues up-to-date which will enable us to carry on our most urgent activities and program. I extend to everyone on behalf of the new Board, our very best wishes for a Do More in '64..

Louis A. Cutler, WØVLI,  
President  
1964 Ak-Sar-Ben  
Radio Club, Inc.

\*\*\*\*\*

**GET YOUR CALL LETTER LICENSE PLATES NOW**

\*\*\*\*\*

## FEBRUARY MEETING - FRIDAY, FEBRUARY 14

At the February meeting we will have a discussion of new innovations in single sideband by Marvin Gehr, WØRIU, Chief Engineer, World Radio Labs. There will also be a question period should you have any questions regarding SSB in particular or other problems you might wish discussed.

The meeting will be held at the Ak-Sar-Ben Field at 8:00 P.M. We will have the usual refreshments and we are looking forward to seeing each member at the meeting. You fellows that have gotten out of the habit of coming, let's start the habit again.

\*\*\*\*\*

Dear Editor of Ham Hum,

I was pleased to read your magazine last month and see your article on underground radiation. Do you know of any organization in this country which is devoted to the study of underground signals? I would like to know if any of your readers might be using Berkley "60" receivers underground? Let us hear more about activities in the area around Omaha, Nebraska. I am able to obtain a copy of your monthly publication Ham Hum from relatives in the Omaha area and enjoy reading it when I can. I am not licensed to transmit so am confined to receiving signals only.

Very best regards,

Paul E. Ryan  
1130 SW 38 Street  
Cedar Rapids, Iowa

\*\*\*\*\*

12-13-63

Mack, KØMSS now on 6 meter SSB with a 10A exciter and 458 VFO into a P. & H. 600 transmitting converter. Also now receiving with a Tapetone Sky Sweep recvr. Also Gordon, KØQFB expects to be on SSB soon. Others on 6 M. SSB are WØRIU and K9KHW/Ø, Ray in Lincoln.

Fred, WAØGNT and Gary WAØHNW of Lincoln have been experimenting with 432 mc. rigs - they've worked 3 miles with only whip antennas using superregen. recvr. out of ARRL handbook. They plan to be using beams soon. (Ed. note - By using more advanced "present state of the art" equipment, 432 mcs. should be capable of doing as good as 144 mc. This can lead us only to the observation that the commercial 450 mc. users are taking advantage of many things that we amateurs are not. It would be truly a revelation to most hams to learn just how much commercial use is being made of the the VHF and UHF frequencies.) Charles, KØQVL is now building the 2E26 6 meter txr. in recent handbook. He has had his share of troubles getting the overtone osc. circuit to work right, and from our experience, this is often a problem.

Tom Moeller, WNØEXQ is trying to locate a schematic for his BC-348 surplus recvr. I thought I had one on hand but haven't been able to find it yet. Can anyone help Tom out? His QTH: 2515 Jones St.

We heartily concur with Frank Cooper's thoughts in our last issue regarding the lack of personal news. Fact of the matter is, we just don't seem to be able to get the fellows

to send in anything, even with our postage free return cards. I wish I knew the answer to this one.

73, John WØWRT  
\*\*\*\*\*

WØCC Gus Lynch passed away Dec. 31, 1963 at Grand Island. He was known on 75 to many Omaha Old Timers. He was chief engineer for Farm and Home Radio, Inc.

WØPHW

\*\*\*\*\*

## NOTICE

The next class for Amateur "General" license will begin at WORLD RADIO LABORATORIES on Feb. 13th (Thursday) at 6:30 PM.

Classes will be 6:30 to 8:00 PM each Thursday, for a total of 8 weeks. Registration fee is \$5.00.

\*\*\*\*\*

To all amateurs reading this, who are not members of the ARRL, we put this question. Are you the kind who is just content to sit back and let others do your fighting for you? Remember, as a loner, you are like the little boy who cried wolf. The first two times the townsfolk came to help and found no wolf, but the third time, when there was a wolf, he got no help. About a year and a half after the amateurs were issued licenses, they themselves realized that for self protection they should band together. They did, and the American Radio Relay League was born. Why not join the ARRL?

de Philadelphia, Pa.  
Pack Rats

\*\*\*\*\*

## ATTENTION XYLs!

It seems to me that this paper has lacked a woman's column. In fact, the women seem to be left out when it comes to club meetings too.

They seem to get is the work detail when it comes to pancake suppers, picnics, etc.

What would interest you enough to encourage you to attend the rest of the meetings? Cards, classes of one kind or another, possibly even a code class for some of you? (It's possible!) We could have our own meetings while the men have theirs, and get together afterwards for coffee, doughnuts, and a little small talk.

Let us have your ideas on what you would like so we can get the ball rolling. The paper has a "ham of the month"; let's have a "wife of the month." Send us your picture along with a little information about yourself. Tell us about your hobbies, maybe your favorite recipe, or even a household hint. This could be a fun thing for us too.

To give you some idea of what we want - I'm Marion Olson, XYL to Earle, WØJKE. Right now my main interest is to get our three children, Kenneth (17), Eileen (15), and John (13), through school in the shortest time possible. John and Eileen are in scouts so I am a scouting mother too. I like to cook, sew, and knit. My hobbies are bowling, oil painting, and hamming. I have my Ham license for twelve years and have held the calls WØMJK, K9IXV, KP4APX, and back to WØMJK. I became a ham to please my husband and when I have time for it enjoy it very much.

We need a name for this column and someone to be "wife of the month" next month. Come on gals - who's next - send us the picture and the information and you may be it.

Marion

\*\*\*\*\*

## PRIZE WINNER

Fred Kujawa, KØETA was announced as the winner of the Hallcrafters VHF contest for this area. The award was made through World Radio Laboratories at Council Bluffs, Iowa.

Fred was presented a new Hallicrafters HA6 Trans-Verter with power supply by Leo I. Meyerson, WØGFQ, president of WRL at his store Saturday the 11th of January.

Fred should be well known on 6 meter SSB by the time you read this article. The HA6 converts 10 meter signals to 6 meter signals, both transmitting and receiving.

Fred's entry is now eligible for the national contest and prizes of over \$1,500.00.

\*\*\*\*\*

## OFFICIAL BULLETIN NR 930 FROM ARRL HEADQUARTERS NEWINGTON CONN JAN 2 1964 TO ALL RADIO AMATEURS BT

On December 31, the Court of Appeals for the seventh circuit in Chicago ordered a sixty day postponement of the effective date for FCC license application filing fees. This is a temporary postponement to permit time for a full hearing in court on the subject of fees. Thus, no fees need be paid until March one or further notice  $\overline{AR}$

\*\*\*\*\*

## NOTES FROM THE BOARD

At the Board meeting held in December, Edmond E. Donze, W0YEV, was re-elected Treasurer and Dick L. Eilers, W0YZV, was re-elected Secretary.

At this meeting, Lou Cutler, W0VLI, our new President, outlined his desires for the coming year. If we can do just half the things he would like to have done we will have just about the best Club in the land. We discussed the programs in particular and the entire Board is working on program ideas as it is felt the program is of primary importance in operating a club to the satisfaction of its members.

\*\*\*\*\*

### OFFICIAL BULLETIN NR 928 FROM ARRL HEADQUARTERS NEWINGTON CONN DEC 19 1963 TO ALL RADIO AMATEURS BT

To assist amateurs serving as volunteer examiners for the FCC Conditional Technician and Novice tests, ARRL has prepared Form S-45, Certificate of Volunteer Examiner. Form S-45 meets all the requirements of the letter which examiners are expected to write when asking the FCC office in Gettysburg for test papers under the new rules. Copies of the form are being sent to all ARRL Affiliated Clubs. Amateurs expecting to serve as examiners may send a self-addressed envelope for copies to the Secretarial Department ARRL, Newington, Connecticut 06111 AR

\*\*\*\*\*

## MORE ON U.G.A.

Reader response and interest has prompted further research on the Under Ground Antenna. All contributions from readers are welcome. Your ideas and experiment results are of interest to many.

The circuit in Figure 1 is an early push-pull amplifier of the type suitable for feeding a U.G.A. It has a balanced output. We would like to publish a more modern final circuit. If any reader knows of a suitable "pie" network final circuit we will print it. Many readers would like to see it.

\*\*\*\*\*

### OFFICIAL BULLETIN NR 931 FROM ARRL HEADQUARTERS NEWINGTON CONN JAN 9 1964 TO ALL RADIO AMATEURS BT

A new agreement concluded between Colombia and the United States effective December 29 permits amateurs of the two countries to exchange communications on behalf of third parties. The limitation to personal or technical messages not important enough to justify the use of commercial circuits is similar to earlier third party agreements. The current list of countries with which U. S. amateurs may make such exchanges is Bolivia, Canada, Chile, Colombia, Costa Rica, Cuba, Dominican Republic, Ecuador, El Salvador, Haiti, Honduras, Liberia, Mexico, Nicaragua, Panama, Paraguay, Peru and Venezuela AR

\*\*\*\*\*



**Figure 1.**  
**STANDARD PUSH-PULL**  
**R.F. AMPLIFIER CIRCUIT.**

The mechanical design must be symmetrical and the output coupling must be evenly balanced. Individual meters may be substituted for the two meter jacks. If a grid choke is substituted for  $R_1$  for fixed bias operation, a 200-ohm wire-wound resistor should be placed in series if a low frequency parasitic oscillation occurs.

$C_1$ —Approx. 1  $\mu$ fd. per section per meter of wavelength. 1000 volt spacing for HK-54, 35T, T55, B12, 80B, etc. 2000-volt spacing for 100TH, HK-254, HF-200, T200, etc.

$C_2$ —Refer to tank condenser data and Q charts.

$C_3, C_4$  — Suitable neutralizing condensers, 50% greater air gap than  $C_2$ . Maximum usable capacity should be slightly greater than grid-plate capacity of tubes.

$C_5, C_6$ — .002  $\mu$ fd. or larger.

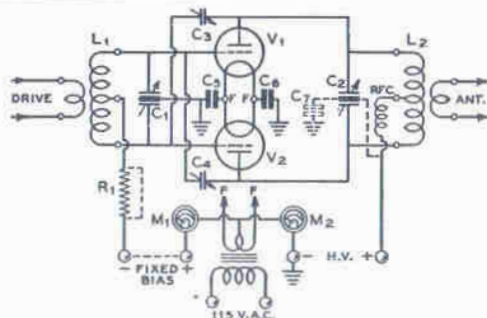
$C_7$ —Not over .004  $\mu$ fd.

$R_1$ —Of such value that normal grid current for tubes will produce enough voltage drop to make a total of twice cut-off bias including any fixed bias. Higher resistance can be used with slight increase in efficiency if reserve of excitation is available. Wattage rating equal to I<sup>2</sup>R. The resistor may be omitted entirely and fixed bias equal to twice cut-off or

more may be used, if desired. RFC — 2.5-mh. r.f. choke designed for all-band operation, of suitable d.c. rating. Not always found necessary.

$T_1$  — Filament transformer of suitable voltage and current rating. Tapped primary desirable, especially if transformer is located some distance from the amplifier.

$M_1, M_2$  — Suitable grid- and plate-current meters.



**CQ "A"**

What on earth does CQ "A" mean? This is what I heard about 11:18 p.m. on the 21st of last month. I gave our president a landline call and he said it means AURORA. (Ed. note! Isn't that a new bathroom tissue?) I said WOW what a raspy tone for CW and he said it sounds that way. I told him there was a K9UIF calling CQ A and wondered what it meant so I listened and called him to no avail. I also heard another 9 and an 8 until 15 minutes after the bewitching hour. Needless to say this was the first time I had ever heard AURORA and it excited me to no end. The next night a little after 7 p.m. it happened again with 0's and s and maybe others coming in. I am sure that many of you heard Dennis, WØYMG, talking to WØAST in Denver, Colorado. By the way, I wonder if this was the first Colorado for you Dennis? Some of these sig-

nals were as much as 25db above my noise level which is a pretty good signal, I think. Of course they didn't hear me but I got to hear an AURORA opening for the first time and I don't think I will ever forget it. I recently bought a tape recorder and after I got my wits back I plugged it in and got a little bit of these signals on tape for proof. Hi

It sounds like our contest has got things a little more active on two meters. There isn't much time left on the contest so let's all get in there and rack up some good points on AM and CW. We will find out the winner club meeting day. (Ed. note: From what rumors we have heard, there are several in the lead with very close scores so don't give up.)

73

Gordon KØJQV  
de ACARA Ground Wave,  
Wichita, Kansas

\*\*\*\*\*

Here are some excerpts from an article by one of the columns in Splatter, the publication of the Minneapolis, Minn. Radio Club. The same comments are applicable to this club..

Well, I guess I'll make my monthly plea for material at this point. I'd like to make you an additional offer. Anyone who sends me usable material is welcome to come over and hear as many Kingston Trio albums as he wishes. How's that? Now I know none of you can resist, so I'll be expecting a deluge of letters and calls next month.

I'd like to present at this point the FABLE OF THE MAN AND THE RADIO CLUB -

Once upon a time there was a man who belonged to a radio club. He was a very talented individual, and took a great interest in the club's activities. It was soon discovered that he had a flair for writing. Consequently, he secured a position on the "staff" of the club's magazine, called the BLABBER. He had a gossip column of sorts in the magazine which subsisted almost entirely on little bits of news and feature articles.

For the few months his column was published he was very happy and contented. People all over the city were sending in contributions to his column, and everybody said they enjoyed it immensely and remarked about what a terrific writer he was.

But - this was only for the first few months. It soon became apparent

to the man that the amount of contributions he had gotten had slackened considerably. The poor man was forced to cook up stories and jokes rather than rely on help from the club. After he had exhausted his stock of his stories and jokes, he started complaining in print to the readers. He called them names, stepped on their toes, and did just about everything else he could think of to get contributions.

However, it was to no avail. No matter what he did, the club refused to contribute anything, giving excuses like "I don't have the time" or "But I'm not a good writer," or "I can't think of anything." Of course, all of these excuses were assinine.

The man never got any help for his column, and it was soon discontinued. As a matter of fact, the whole magazine went out of print because everyone missed his column so much that they didn't wish to read it anymore.

After his column was discontinued the man went to work for CQ magazine and made millions writing fables like this one. The club? Well, after the BLABBER went out of print, nobody could find out when the meetings were going to be and it eventually petered out.

MORAL: Aw, It'll never happen to us.

de Fred Anderson, KØ IHG in Splatter  
Minneapolis, Minn. WØ WRT

\*\*\*\*\*

## ENSCO DEFINITIONS

High noon: 3-Martini lunch.

Rationalization: Better dietetic than diabetic.

Starting post: Gallop pole.

Marriage counselor: Fallout shelter.

The "twist": Hips that pass in the night.

Chorine in Folies Bergere: Dancing bare.

Metrecal: Physical fatness program.

Cartoon: Music to drive by.

de Ensko Bulletin

\*\*\*\*\*

While at Disneyland, a Texan decided to call the airline to confirm his plane reservation for the next day. He dialed the operator and she instructed him to deposit 35 cents.

He was surprised at the cost to call the airport. "Why that's ridiculous," he told the operator. "Back home in Texas we can call down to hell and back for a dime!"

"I know, sir," the operator replied. "But that's a local call."

de Ensko Bulletin

\*\*\*\*\*

12-26-63

### New Officers

Pine Ridge Amateur Radio Club  
Chadron, Nebraska

President - Otis Smith

Vice President - Lynn Bilyeu

Secretary-Treasurer - Neil

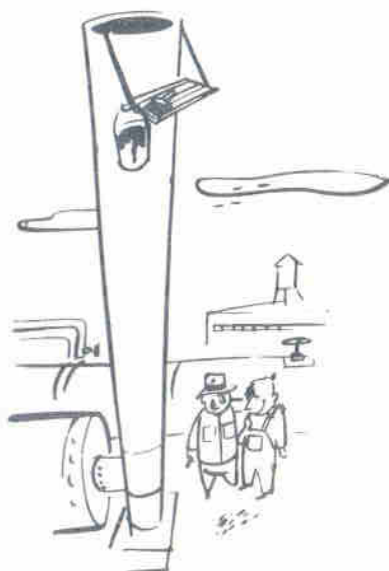
Schoening - 634 Lake St.

\*\*\*\*\*

## OFFICIAL BULLETIN NR 929 FROM ARRL HEADQUARTERS NEWINGTON CONN DEC 26 1963 TO ALL RADIO AMATEURS BT

All amateurs in the ARRL Field Organization are urged to take part in the annual Novice Roundup to be held February 1 through February 16. The leading Novice in each section will be awarded a certificate of achievement. Page 43 of January QST has all details on how to participate in the 1964 Novice Roundup. Send a postal card or radiogram to ARRL for free contest log forms and a map of the United States. Address your requests to the ARRL Communications Department, 225 Main Street, Newington Connecticut 06111  
AR

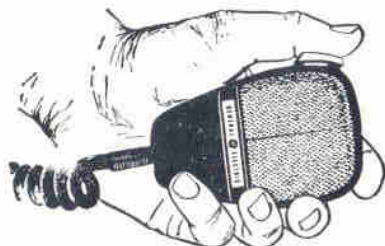
\*\*\*\*\*



"LOOK AT IT THIS WAY McCLURK -  
NOT EVERY MAN GETS TO START AT  
THE TOP."

Take a **firm** grip on  
your future savings and earnings

with  
A TWO-WAY  
COMMUNICATIONS SYSTEM



**Phone 341-8069**

For Complete Tower Service - Engineering  
Maintenance - Service and Installation

**GENERAL COMMUNICATIONS CO.,  
INC.**

Omaha, Nebraska  
827 South 20 St.

**GENERAL  ELECTRIC**