



HAM HUM

Published by
AK-SAR-BEN RADIO CLUB, INC. - Omaha 1, Nebr.
Post Office Box 291 - Downtown Station

January 1963



Vol. XIII
No. 1

NEW BOARD OF TRUSTEES FOR 1963

President

Joseph F. Berounsky, KØQDB
(1963-64)

Vice President

Louis A. Cutler, WØVLI (1963)

Past President

Royal M. Enders, KØLYO (1963)

Executive Council

Lawrence F. Cacomo, WØNMN
(1963)

Edmond E. Donze, WØYEV (1963)
- Treasurer

Duane R. Gerry, KØUIA (1963) -
Secretary

Glen W. Swanson, KØJQX (1963)
Robert Dickson, KØIAM (1963-64)
Ralph E. Erts, WØSMY (1963-64)
Wendell M. Larsen, WØNPA (1963
-64)
Robert E. Margritz, WAØBIE
(1963-64)

At the first Board meeting held on January 4, 1963, Ed Donze was re-elected Treasurer and Duane Gerry was elected Secretary. These officers will be installed at the January 11th meeting of the Ak-Sar-Ben Radio Club, Inc.

PAST PRESIDENTS OF THE CLUB

1945 N. P. Nelson

1946 John Leeder

1947 Art Gaeth

1948 Herb Curry

1949 Elmer Stein

1950 Doc Becker

1951 Earle Olson

1952 John Orr

1953 Ray Strange

1954 Frank Cooper

1955 Art Stadler

1956 Dick Eilers

1957 Curt Hicks

1958 Ed Gutmann

1959 Dave Hollander

1960 Max McKinney

1961 John Droescher

1962 Royal Enders

HAM HUM is the official organ of the Ak-Sar-Ben Radio Club, Inc., of Omaha, Nebraska, mailed monthly to all members and to others upon request.



Published by
AK-SAR-BEN RADIO CLUB, INC.
Post Office Box 291
Omaha 1, Nebraska
Editor: Dick Eilers, WØYZV

Phone HOME: 391-2255
BUSINESS: 342-1402 - EX. 327
Assoc. Editor: John Snyder, WØWRT
Phone HOME: 556-1538
BUSINESS: 551-0669 - EX. 317

Dear John (WØWRT) and Family,
Merry Christmas from Illinois. Here it is almost Christmas and a long time has elapsed since I have written any letters. The McDonalds are fine and healthy and with the exception of the cold spell now in progress, all happy.

Susan is awaiting Christmas eagerly, but Jimmy is not aware of it at all. Next year it sure will be different though.

We haven't been doing anything extra interesting this past summer. Just going along, living normally. We really didn't spend enough time sightseeing, something seemed to keep us busy without it, but next summer it will be different, I hope. Nita saw one or two plays, and I went to a Ham convention or two and Sue and Jimmy played, and that was about the extent of it.

I am still playing with the radio hobby, and operate exclusively on two meters at the present time. On "AM" "FM" and RTTY but I will be on the low bands after the first part of the year. Probably on single sideband after I decide on the equipment. On that part of it I am still undecided. I kinda got the itch after talking to my boss about it fre-

quently. He has worked over 320 ARRL "countries" and it sure sounds interesting the way he describes it. Time will tell however. (Editor's note: "Boss" here refers to Ed Schmeichel, W9YFV).

Dear Sirs,

Just read Ham Hum for Dec. This publication is the best I have read of any club papers, this includes the VHF here in Pittsburgh, Pa. I would like to know if I could get Ham Hum from you as a steady diet. Pgh sure could learn from this paper.

Yours truly, K3LUW
Audley T. Lloyd, Jr.
821 Steiner St.
Pgh 27, Pa.

FOR SALE:

1962 Globe Electronics Scout DeLuxe in mint condition. Its performance is known. Manual as original carton. See me weekend.
Royal, KØLYO
7625 Meredith
391-2681



PREXY

SEZ—



By Royal Enders, KØLYO,
1962 Club President

Very soon it will be "Ex-Prexy" and I want to personally thank the 1962 Club officers and Board Members for their splendid cooperation and assistance in making 1962 such a good year for Ak-Sar-Ben Radio Club, Inc. I want also to thank every club member who worked on a committee, or on a special program or project, or who helped in any way during our many and varied activities.

Thank you, each and every member, for the honor I have enjoyed while serving as your 1962 Club President. It was a privilege and a pleasure, and I sincerely hope that the many new friendships I made in Club activities during the past year will continue through all the years to come.

During 1962 the Club participated in numerous civic organization drives, including The Salvation Army, The City of Hope, The March of Dimes, The Heart Fund, The Miracle Mile Drive, The Cerebral Palsy Drive, and The Lions Club Eye Bank Drive. Each of these organizations have thanked us either by letter, or

by the presentation of an "Appreciation" plaque for our trophy case.

ARRL Field Day in June placed our member-operators in direct competition with the Sioux City Amateur Radio Society, and we had to humbly bow to the Hams of Soo Land, since they out-scored us by 588 points to win the Field Day Trophy. However, Ak-Sar-Ben Radio Club will again be in the competition, and we intend to bring the "Cup" to Omaha in 1963. (CW Ham Members please note: Soo-Land defeated us with their seasoned and experienced CW operators. We need your help next June.

The Pancake Supper, the Club Picnic, the big successful auction, the "Twist" Party, and the December Membership Meeting and Christmas Party highlighted the social activities of the Club in 1962. Didn't we all have fun? The officers feel that everyone really enjoyed these big events.

The Past-President's and Old-Timers program in November brought a lot of memories to some of us, and

a lot of history of the Club and Hamming to the newer members. I would recommend that this be set up as an annual event. Ak-Sar-Ben Radio Club, Inc., is in an excellent financial condition. While the Board of Trustees administers and handles all the business of the Club, any member is welcome at any time to attend Board Meetings, and can see the accounting of Club finances and business proceedings.

At the end of 1962 we have 105 "Dues Paid" active members, a gain of 25 during the year. There have been 10 re-instatements of former members, although 30 were suspended during the year for non-payment of dues. These suspensions were made only after the board had contacted the individual, or several times attempted to do so, in an endeavor to re-activate the member.

The old and new Boards of Trustees will meet jointly soon before the January Membership Meeting, and at that time the business matters will be transferred to the new hands. However, the new board will have the benefit of the experience of those who also served on the Board in 1962.

At the January Membership Meeting to be held on Friday Night, January 11, in the 4-H Building at Ak-Sar-Ben Field, the New Officers and the Members of the Board of Trustees will be installed. Please come out that night and show these newly-elected officials that the Club is solid behind them for 1963.

This has been my report to you of the Club activities for 1962.

TNX AGN CUL 73 88

Royal KØLYO

Dick OM,

A meeting of RACES officers, members and interested parties, from the Western portion of Nebraska, was conducted Dec. 1st and 2nd in Ogallala. The purpose of the meetings was to discuss the problem and find the solutions there-to in RACES.

Twenty participants attended each day's meetings. State RACES Officer, E. V. "Skip" Miller, WØKVM, expressed desire to hold meetings such as this one throughout the state at frequent intervals. The meeting was enlightening and shows great merit. Suggest when they are conducted in your area that an all-out effort be made to attend them. The time taken to attend will be well worth while.

73,

Tony, KØOAL

OFFICIAL BULLETIN NR 878 FROM ARRL HEADQUARTERS WEST HARTFORD CONN DECEMBER 20 1962 TO ALL RADIO AMATEURS BT

All amateurs in the ARRL Field Organization are urged to take part in the annual Novice Roundup to be held February 2 through February 17. The winning Novice in each section will be awarded a certificate of achievement. Send a postal card or radiogram to ARRL for free contact log forms and a map of the United States. Page 41 of January QST has all details on how to participate in the 1963 Novice Roundup AR

MARS ACTIVITIES

The last issue of this publication carried the first of a series of items concerning MARS, and we promised to answer a few of the many questions that MARS members are asked by other Hams.

WHAT IS MARS?

The Military Affiliate Radio System (MARS) is an organization of, and for, licensed Amateur Radio Operators who are interested in Military Radio Communication. MARS is a joint program of the several Armed Services, with joint policies, but separate operational controls.

WHAT DOES MARS DO?

MARS creates interest and furthers training in Military type communications, and provides an additional source of trained volunteer civilian radio personnel, and an auxiliary means of communications available instantly during local or national emergencies. It offers training to stimulate interest in either Military or Commercial electronic career fields, or both.

HOW DOES MARS OPERATE?

MARS member stations meet periodically in scheduled nets, on special frequencies outside the Amateur bands, for the purpose of instruction and drill, and for the handling of third party and official traffic. Standardized semi-military procedures are used. During time regularly assigned to specific nets, the MARS frequencies are available for individual member use, and many interesting and informative technical discussions occur

about such matters as Antenna Design, Transmitter or Receiver Modification, Construction of Converters, Power Supplies, and the Modification of surplus military equipment.

WHO IS ELIGIBLE TO JOIN AND PARTICIPATE?

Any Amateur holding a valid FCC License, over 16 years of age, and who possesses a station capable of operating, or one that can be modified to operate of at least one MARS frequency with frequency accuracy within 0.01%.

Membership in MARS is purely voluntary and is not a substitute for, nor does it impose any obligation for Military Service.

Some typical MARS frequencies are:

2374 KC	49.98 MC
3315 KC	143.95 MC
4450 KC	
4455 KC	

Various modes of transmission are used at various times by different members and various nets, such as CW, SSB, AM, RTTY, so that every individual member has the opportunity to exercise his own Ham Hobby, as well as an opportunity to handle third party traffic. A MARS Member can gain valuable experience in the design and modification of transmitting and receiving equipment.

Next month we will publish the schedules of the Iowa and Nebraska Air Force MARS nets. We invite

contributions from both Army and Navy MARS personnel.

Ed Donze, AFØYEV
Nebraska State Director
Royal Enders, AFAØLYO
Staff Assistant.

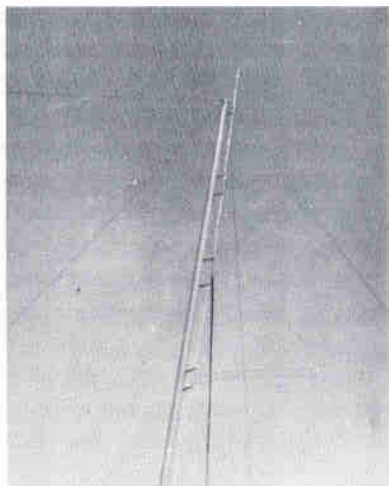
2 METER NEWS

A new call heard on the 145.3 mc. frequency is WNØDJK, Harry I. Silver, whose QTH is in Omaha's Benson area. Harry is shown here at his operating position, and also shown is a shot of his home-brew vertical colinear antenna. This is the same colinear as illustrated in the ARRL handbook. Rig is a Heath 2er.

Now on 2 meters from Lincoln is Gene, KØCZN using a modified 522 and Finco antenna. Understand he also is active on 50 mc.

WØOHP and WØFTR also still active from Lincoln and both put very good sigs. up Omaha way.

Sky hook of WNØDJK, Collinear home-brew 300 line to TV type balun transformer 15' closet pole.



Ham Shack of WNØDJK, Heath Twoer
5 watts input.

Haven't heard anything from WØPUM, Gil at Columbus since he began moving to his new QTH. Weather has probably prevented OM Gil from getting his 16 el. Cush-Craft back up in the air. Gil reports that this antenna does a very fine job and I can believe it because with just a 2er feeding the array, he can easily work into Omaha from Columbus, a pretty fair distance for this low power.

2 meter MARS net still having pretty good turnout on Thursday evenings 2100, but AREC net on Sat. evening not so good on the check-ins. Your participation is invited - just get an 8072 kc. xt and this will multiply up to net freq. of 145.296 mcs. or use VFO. -73-

John, WØWRT

1962 IN RETROSPECT And Some VHF Headaches

By J. D. Snyder, Assoc. Editor

Participation, interest...cooperation! These are some important words recently used on the 6 meter RACES net by Herb, WØAFY. I feel that these are also important words when they apply to the operation of your local radio club, namely Ak-Sar-Ben Radio Club.

As we glance back over the past year we can recapitulate the club's accomplishments as well as some of the things we were not able to accomplish. Many of the latter could have been carried to completion if we could have stirred up more interest.

As an example, one thing that comes into my mind is the situation on novice training. We realize that several of the club members have, in the past, volunteered to lend a hand with the proposed novice training program. This program apparently hasn't materialized for several valid reasons, and some of these willing folks have naturally been disappointed that they weren't called upon for their assistance. It seems that earlier in the year, Larry Schumacher, KØSJD did get the ball rolling on this program and unfortunately, was transferred by his employer to another part of the country. For lack of further leadership, the training program folded. Another factor that enters into this is the fact that WRL also has some very good code and theory classes and if the club had classes too, there would be some duplication of efforts.

Some things that I'd like to see happen in 1963 are (1) Club QSL cards. Again, here is a problem in getting one or two persons to handle the details of designing and printing the cards. (2) Signs on a few major highways entering the Omaha area giving the local 6 meter (or other) calling frequency. I'd personally recommend 50.4 mcs. since this frequency is so widely used. There is a good picture of such a sign in the CQ magazine of May 1954 showing the sign of the Philmont Mobile Radio Club in Philadelphia, Penna.

During my term as board member and also serving as assistant program chairman I have had a few requests for more frequent club auctions as well as more movie films. Possibly the new board members will consider these items for the 1963 programming.

Now on this matter of club programs, Ed Gutmann, WØCQX, who is the current program chairman, advises us that his new job requires him to travel a lot of the time and because of this, he would like to relinquish the job to someone else in the club. Now, here is the golden opportunity for some of the few people who are always complaining about the club programs; why don't some of you gentlemen volunteer for the thankless job of program chairman? I doubt if the new board would reject your kind offer. Then you would soon find out that you did not have the faintest notion just how trying it can

be to locate willing speakers and entertainment. I think that Eddie Gutmann will concur on this. I might add that any mature person will realize that we aren't in a position to run Cinerama or have chorus girls for the meetings.

Just as a personal wish for 1963, I'd like to see more of our club members also become members of the A.R.R.L. which would bring QST magazine into more amateur stations. Now we all realize that there are several very good amateur publications, however since QST is the official league publication, I believe it is worthy of our support. I have heard fellow hams on the air say that they don't find much of interest in QST and that it has nothing but "contest info and advertising" to quote one local 6 meter operator. I don't completely agree with this viewpoint and as a good reason why, just notice the arguing and bickering going on over 6 meter lately where station X says that station Y is taking up way too much bandwidth and/or is cross modulating all the other signals on the band. Well, it just so happens that 9 times out of 10, this condition is a case of receiver overload. Now getting back to QST again, this very problem has been dealt with in several recent issues, specifically QST for Nov. '61 and March '62 where Sam Harris, W1FZJ explained the reasons for this problem and how to check for and overcome same. I quote Mr. Harris in the Nov. '61 issue, "There are so many guys running 100 watts or more to 10db. or better antennas, that it just isn't going to do any good to complain about it. You might

as well face up to the fact that you have a job to do on your receiving equipment set-up if you want to enjoy your hobby" -- End of quote. I could add that another solution might be to move up the band - there's nothing wrong with using 50.7 or even 50.8 mcs. Remember, no one, either commercial or amateur licensee, OWNS ANY ONE FREQUENCY. Here's where the gentlemen's agreement enters into our sharing of the band. Common courtesy to your fellow ham would lessen the problems. One basic rule that we've all probably broken at one time or another is "Listen before you transmit." 73 WØWRT

John

DO YOU REALLY CARE?

It should cause a little disturbance back in the minds of the amateur who thinks that he doesn't owe anything to the public, that he has every right to what he pleases, when he pleases and where he pleases. That he is licensed to enjoy amateur radio as a hobby only without the involvement of his station in providing its share as a public service.

Where do these same birds deduce that the public service angle belongs to the other guy only and that they never need to be involved, or get involved, in providing a useful service to the public in times of emergency? It's the responsibility of ALL of the licensed amateurs to furnish this service when the need arises. So don't include yourself OUT when these emergencies arise.

The FCC would probably take a very dim view of a licensed amateurs

refusal to take part in an emergency operation where his services are badly needed. Perhaps this idea should be investigated and carried further. Ask yourself -- Am I doing MY share?

(W4VMA SEC Va. in Va.
LOG and Florida Skip)

Box 2834
Wurtsmith A.F.B.,
Michigan

Dear Editor,

I would like to inform you I am a MARS member (AFA2PVB), and if possible will do anything possible to help on my end, if anyone needs anything from this way.

73,

Joe Lofreddo
K2PVB/8

**OFFICIAL BULLETIN NR 879
FROM ARRL HEADQUARTERS
WEST HARTFORD CONN DECEMBER 27 1962 TO ALL RADIO AMATEURS BT**

The full FCC examination schedule for giving General Class and Extra Class amateur license examinations at many different points during the first half of 1963 is listed on pages 66 and 67 of January QST. Such exams normally start at nine AM designated offices. The dates shown are tentative and should be checked with the given FCC office as the date approaches in case of possible changes AR

10 December 1962
Ak-Sar-Ben Radio Club, Inc.
P.O. Box 291
Omaha 1, Nebraska.

Hello there:

At last there is a place in Phoenix I can call home. 6842 North 15th Place is in the northeast part of Phoenix, a house with 15 citrus trees. If any of you are down this way, stop in for a cup of coffee and pick some oranges or grapefruit. The phone is 265-7670.

Also KØYDJ is no more. It has been changed to K7VGP.

Ham activity here is good. Last week there was a Sunday Xmas message handling for the public. Now there is a "Kids talk to Santa via Amateur Radio." A fun raising and fund raising magic show is to be held early January.

I have joined two local clubs, but their publications are not like HamHum. Please continue to send it.

Very truly yours,

Bill McDonald



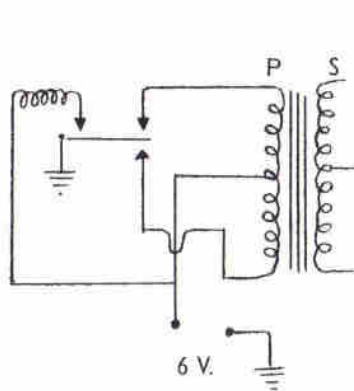
"Yes, young man, I think we can use you—if you don't mind starting at the top."

KUEHN'S KORNER

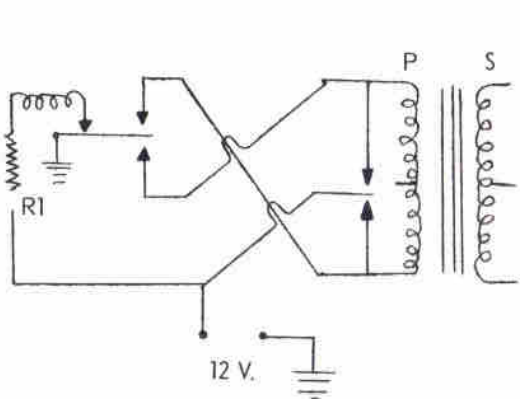
by W0HKF

Vol. 1 No. 1 of "FM NEWS," published by K4FSU and K4ZAD contains a conversion tip of interest

to anyone changing a car radio from 6 to 12 volts or performing the same operation on an FM transceiver



Original Circuit



Revised Circuit

In the revised, 12 Volt circuit the voltage is alternately reversed across the entire primary winding instead of from the center to either end as in the original. Vibrators recommended are the Mallory Type 1701 or the GE number 7141584P3. Although the FM NEWS story doesn't say so, these are apparently 6 volt units, since they say that resistor R1 must be selected to give a 6 volt drop with the vibrator used. No doubt 12 volt equivalents are available, or the vibrator coil might be rewound if you're handy at such things. In the 12 volt circuit above, the primary center tap is unused.

In some FM transceivers synchronous vibrators are used, in which case the secondary windings are disconnected from the vibrator socket and silicon rectifiers used instead.

FM NEWS appears to be a fine bulletin with national distribution and devoted to VHF FM amateur radio communication. Subscriptions may be had at a nominal 50¢ per year from Seymour Paul, Jr., K4SFU, Route 2, Waterlick Road, Lynchburg, Virginia.

"73"

Bob

de--Ground Wave

NEW YEAR'S RESOLUTIONS

It is the time of the year when we again set up a set of resolutions which we will try to live by the coming year. Probably most of us will make our New Year's resolutions simply because it is the thing to do. It is expected of us. But I wonder how many of us take these same resolutions at the end of the year and see how well we have measured up to them?

As a rule, most resolutions are good ones and we kid ourselves into thinking that we have every intention of living up to them. Categorically, they can be classified as either "restrictive" or "objective"; either we desire to place certain restrictions on our activities or else we set certain objectives to be accomplished for the ensuing year. All too often we either have no intentions of keeping our resolutions when we make them, or else we cast them aside during the year. Since we must live with them for a whole year, it would seem that we should give a great deal of thought to making our resolutions.

Let us examine a few generalized resolutions that might fit most every amateur:

RESTRICTIVE (DON'T CATEGORY

1. I will not accept traffic unless I have a reasonably good chance of delivering it.

2. I will not knowingly cause QRM to others.

3. I will not use excessive power, but only that required for 100% QSO (this is probably the FCC regulation most often violated by amateurs!!!).

4. I will not degrade myself and other amateurs by cheap and suggestive remarks on the air.

5. I will not put a signal on the air knowing that it has poor quality.

OBJECTIVE (DO) CATEGORY

1. To the extent of my time and ability I will assist other amateurs when asked to do so.

2. I will do whatever I can to help my radio club.

3. I will take an active part in the activities of the ARRL.

4. I will actively practice safety in my ham shack.

5. I will try to have a balanced life rather than let my hobby become a ruthless slave driver.

Most of these things we do as a matter of routine. However, don't you sometimes accept traffic knowing that you haven't a chance of delivering it? Or how about that time when you said, "Joe, I think there is another QSO on the frequency but I guess we probably won't hurt them...and do you insist on running your kw even though you are only talking across town? Or how about the suggestive jokes on the local net? And I bet there has been a time when you knew that your signal sounded awful, but since they could copy you, why worry?"

THE BUGGY WHIP COUP

There are only a few amateurs who willingly violate the rules of the game. Sometimes, though, we are inclined to say to ourselves, "well, it won't hurt to do it just this time." It is this sort of thing that we could and should cut down. The willful violators will be found out and will receive their just reward in due time, but it is this other type which must be wiped out before it becomes a habit.

Consider how much better our amateur world would be if we could make those Objective resolutions a routine in our day-to-day affairs. It is only by constructive deeds and ideas that we can continue to enjoy our hobby of amateur radio. With the increasing number of new amateurs each year, a greater degree of cooperation than ever before will be required. We can each make a positive contribution to the Amateur Radio world if we would draw up a set of resolutions and then live by them.

Yes, let's make New Year's Resolutions, but let's make plans to keep them.

73,

Blank, W3ENU

(de Auto-Call, Washington, D.C.)

MOBILE ACTIVITIES

We have been asked to participate in the following drives which will come up in the near future:

March of Dimes	- January 29th
Heart Fund	- February 24th
Lions Club Eye Bank	- Date not yet Determined

The story of "How Fremont Guilfoyle Found Fifi and Played Free Enterprise" has been passed along to me by someone who enjoyed reading and thought other Ham Hum readers might also like to read it . . .

Just the other evening I ran across a boyhood friend, Fremont Guilfoyle. Fremont, dressed to the times, stepped from his Mercedes with a blonde on his arm who would make a man gnaw a crowbar. I wondered at all his affluence, for since the time he was four Fremont had been known to all as a misfit, a square peg in the round hole.

"Fremont, old boy," I said, "from whence comes this sudden wealth? The last time I saw you, you were having difficulty holding your raking job with the WPA."

"I," said Fremont, "am in the buggy whip business. I am presently en route to California, where I shall open a branch factory."

"But aren't buggy whips a little passe?" I asked. "I have seen no buggies and but four horses since 1925. Just how did you get into this racket?"

"Well, it's like this," said Fremont. "I had about a thousand left from the dough the old man left me and what happens but I get talked into using it to buy a buggy whip factory. Everything else I had had blown up in my face. There was quite a stock on hand when I bought the place and I kept putting out whips until the grand was gone. I had some-

thing like 9,000 whips that were selling at the rate of a dozen a week. I couldn't meet the payroll or even buy my daily cigarettes. I was on my way to get a pistol or some poison or a rope or something when I happened to take a gander at a government brochure someone had thrown on the post office floor. From that moment on everything was changed. I am now in a position where everyone in the family, including cousins and Fifi, here, has his own swimming pool. Fifi is officially my secretary."

"What is the secret?" I asked. "It may be of interest to the common man."

"It was simple enough," said Fremont. "I wrote to Washington and explained that I couldn't even sell my whips for cost, and that unless something was done, the industry would be ruined. So they sent an economist down and he agreed with me wholeheartedly, even thinking of some things I hadn't. It was agreed between us that the government would buy for \$1.87 each all the whips I couldn't sell. I produced them at that time for \$1.53."

"But what did they do with them?" I queried . . . "I don't know for sure," said Fremont, "but I understand they sawed the handles off short and gave them to the Arab nations for use on camels. Hands across the sea, you know. However, in a couple months all the storage space in town was full of my buggy whips that the government had taken over. By this time I was flush. I could put out the whips for 69¢ because of new machinery developed with government aid. I took the money realized

from this and bought surplus buildings from the government for 10¢ on the dollar and rented them back to the government to be used for storing the whips.

"I didn't think that things could be any better, but I was wrong. The economist came down again and said that since storage was a problem, the government would pay me the estimated profit I would make on any part of the factory I would take out of production. So I closed down three wings that had the old machinery and in return the government paid me \$19,000 per month. With this money I am going to open a new, efficient plant in California. I figure that I can double my output at a cost of only 58¢ per item. Anyway, Fifi adores the West Coast."

"You seem to be doing all right," I said, "but from a common sense viewpoint, is the whole set-up reasonable?" . . . "Of course not," Fremont laughed, "but they have been doing it for years with wheat, corn and cotton -- why discriminate against buggy whips? I am surprised that nobody thought of it before."

"Come to think of it," I said, "I am surprised myself."

from Weekly News Digest

FOR SALE:

4 element Telrex beam on 6 meters, AR-22 Rotor, 30 foot Telescope mast, guy wires, one screw anchor, 50 foot coax and control cable, - \$30.00 for package. Now inactive and selling house.

Duane Gerry, KØUIA

Res. - 345-2105

Bus. - 341-2408

DEAR MABEL

Dear Mabel,

You'll never believe it! Had to write to you right away because I passed my novice exam! Be sure to tell Clyde to look for me on the air. My call is WN 10 000. Homer says it's an unusual call but I figure that they just ran out of 9's.

A friend of Homer's gave me the test and he was very nice. I was so nervous! Well, it was really the envelope the test came in that upset me. If I had opened that envelope I would be in terrible trouble. It said so right on the front. I was afraid to even touch it, so Homer carried it for me.

I copied six words in a minute. The ham said that wasn't too bad. What he sent to me I can tell you. I saved it. "IBET YOU AREG LADTO HAVE FOUNDAL LOF HOMERS STTUFF THA TYOU THREW AWAY ON LOMER./DONTB EALARNMEDIF YOUCPY LETERS AND THEYD ONT MAKES ENSE?" As you can see I didn't make too many mistakes.

Please don't forget to tell Clyde to listen for me in the forty band. Novice part. So far, I haven't talked to anyone. I send a CQ and my call and my call and my call and still nothing happens. I mean nobody answers me--except the police came. That's how the lawsuit started.

The man next door had to go to the hospital to have his shoulder X-Rayed because his door came down on it. His garage door. It took

three of us to get him in the car. All during that day the door kept opening and shutting all by itself. Every time it happened his wife would run over to our house scared to death. I was getting a little bit scared myself, but not as bad as her because my husband was home, and not in the hospital like hers! It wasn't till that night when I was on the air that the door came down just as she was backing out of the garage. Lucky she wasn't in a convertible, it really ruined the top of her car. When she called the repair man is when I found out that I had GDI. Their garage door works by radio and every time I keyed my transmitter it made their door act up.

Their lawyer said it was our fault and we told him we had a license. But it is still our fault. Homer will have to pay for the damage because he fixed our transmitter himself. Lots of people get TVI but I've never heard of GDI before. I told the lawyer that, too. The man from the FCC didn't say anything. He wrote a lot of things on a paper. He looked at Homer and me for a long time and said we would be hearing from him.

Well, Mabel, it's getting close to the Holidays. This year I think I will send radiograms. Isn't that a novel idea? It means that I won't have to address about 200 cards. All I have to do is find what Homer says is a 'traffic hound.' At first I thought it was canine...K9...hi hi - but it's a shame that takes messages, you know. I will get a hold of one of those fellows and tell him

ARL50-ARL61 ARL36 and it's just like writing a whole letter.

"Greetings by Amateur Radio - Love and best wishes for a Merry Christmas and a happy New Year - Wish you could be with us - "

Homer thinks 200 is too many but I should send MORE than that. Matter of fact I'd like to send one to every Ham in the Call Book!

Must go and send CQ some more. If I don't get an answer THIS time I know I can depend on Clyde!

Love,
Gladys

P.S. Wonder who I can ask to think me up some good phonetics??

WN 10000

de Florida Skip

WHAT'S RIGHT WITH AMERICA?

You hear and feel it everywhere...misgivings and worries about America. It is said that perhaps we have lost our stuff, gone soft. No sense of purpose, no ideals. Even, it is said, our free-enterprise system no longer delivers the goods as effectively as it once did.

These self doubts boil up from within, from some idealistic young persons, who burn with indignation over flaws in our ways of thinking and doing. From reformers impatient over the delays in reaching utopia next week. From ordinary folks annoyed by rebuffs we get from all around the globe.

Are we flabby and decadent? True, we have the world's highest living standards...cars, television, washers, fancy kitchens, super-

markets loaded with food, and we like these things. But the Communist peoples like them, too. The big reward they hold out to their people is the chance to live like the Americans.

How come we have unemployment, while the Soviet Union doesn't? Mainly because our system works too well, produces surpluses while the Russians still struggle with shortages.

Isn't capitalism basically selfish? True, capitalism runs on the profit motive, profit for the individual. But it makes for a high degree of productivity, more things for more people.

Why do we have poverty, juvenile delinquency, laziness, drunkenness, opinionated ignorance, mental illness? Well, every country has these problems...Russia included... but they stand out here because of the general well-being of the great majority. We also publicize such troubles in an attempt to find solutions, while the Reds simply pretend they have no such faults.

If communism is superior as a system, why no free elections to let the people choose for themselves? Why are our broadcasts jammed...can't the happy Russians be trusted to hear anything from the "decadent bourgeoisie"? Where is the world brotherhood of workers and peasants the Reds promised... the brotherhood that would do away with nationalism?

If you are tempted to despair of our system, try to see it whole, the good with the bad.

The benefits of our economic machine are distributed to many people. Our poor are fewer and less poor than the poor in the Communist countries. Our middle class has tremendously expanded, putting the final kibosh on the class system we inherited from Europe.

Dislocations, problems, yes. But again, we are sensitive to them and make efforts to find remedies. Why? Because the whole idea behind our system is that people have a right to be free. And freedom means the opportunity to have choices, to tinker with personal and national goals.

To sum it up: We have goods, we have services, we have more wealth per capita. We have individual latitudes, and the common term is freedom. We are far from perfect, but we make progress. We strike a balance. Then we see a good people, working and living within a good system. That's what's right with our country.

(from Congressional Record 1-15-62 and Nebr. Home Owner magazine)



"Worry is like a rocking chair—gives you something to do, but doesn't get you anywhere."

It Happened in January

(January's name comes, through Latin, from that of the Roman mythological god Janus, allegedly a two-faced fellow. Originally the deity of light and day, he became the god "of the beginning of things.")

Jan. 1, 1735—Born, Paul Revere, American patriot. (He was 40 when he made his famed midnight ride.)

Jan. 1, 1863—President Abraham Lincoln signed the Emancipation Proclamation freeing "all persons held as slaves."

Jan. 6, 1941—President Franklin D. Roosevelt in a speech envisaged four freedoms: "of speech and expression; of religion; from want, and from fear."

Jan. 17, 1706—Born, Benjamin Franklin. He said, "They that can give up essential liberty to obtain a little temporary safety, deserve neither liberty nor safety."

Jan. 19, 1807—Born in Virginia, Robert E. Lee, Confederate general. His birthday is a holiday in 12 southern states.

◇ ◇ ◇