



# HAM HUM

AK-SAR-BEN  
RADIO CLUB  
INC.

WØEQU

April, 1956

P.O. Box 626 Omaha 1, Nebr.

Vol. VI No. 4

happy

birthday



happy birthday

happy birthday to you



happy birthday



happy birthday to you



# Ham Hum

Published by  
AK-SAR-BEN RADIO CLUB INC.  
Post Office Box 626  
Omaha 1, Nebraska  
Editor---Art Stadler WØQMD

HAM HUM is the official organ of the Ak-Sar-Ben Radio Club of Omaha, Nebraska, mailed monthly to all members and to others upon request. News and information of interest to amateur radio is gladly accepted. All items must be received at least two weeks prior to the second Friday of each month for inclusion in the current month issue. Submit all correspondence to P. O. Box 626, Omaha, Nebr.

Full permission is given for quoting from Ham Hum provided credit line is included.

## AK-SAR-BEN RADIO CLUB, INC. OFFICERS

*Dick Eilers, WNØYZV, President*  
*Bob Stratbucker, WØHZE, Vice Pres.*  
*Curt Hicks, KØAMM, Secretary*  
*Dick Nystrom, WØUKA, Treasurer*

Ak-Sar-Ben Radio Club memberships are open to all persons having an interest in amateur radio and its activities. Dues are 50¢ per month or \$5.00 per year when paid in advance. Students rate is 25¢ per month or \$2.50 per year. Initiation fee \$1.00. Special rate for OM - XYL, \$6.50 payable annually. Meetings are held on the second Friday of each month.

## Officers

Dick Eilers, YZV, President  
Bob Stratbucker, WØHZE, Vice Pres.  
\*Dick Nystrom, WØUKA, Treasurer  
\*Curt Hicks, KØAMM, Secretary  
Art Stadler, QMD, Past President  
Board of Trustees  
Lee Beckley, SRR  
Larry Caccamo, MNN  
\*Dick Curzon, KØAIS  
George Fox, AEM  
\*Ed Gutman, CQX  
Rolly Johnsen  
\*2 Year Term

## COMMITTEE CHAIRMEN

### MEMBERSHIP

Lee Beckley, SRR  
Rudy Rampacek, RMC  
HAM HUM

Art Stadler, QMD

### PROGRAM

Bob Stratbucker, HZE  
FOOD

Rudy Rampacek, RMC

### TECHNICAL

Larry Caccamo, MNN

### PUBLICITY

Dick Curzon, KØAIS

### MOBILE

George Fox, AEM

### TVI

Frank Cooper, IOS

Allen McMillan, JJK

### CIVILIAN DEFENSE

Art Stadler, QMD

### NOVICE

Rolly Johnsen, SPO

### FIELD DAY

Ed. Gutman, CQX

## AND NOW I AM 5

It would be completely in order to bring forth a great big cake decorated in all its trimmings, with five huge candles with flames burning blue, and the singing of "Happy Birthday to add to the fun, for this is the month of the birth of the rag now known as the Ak-Sar-Ben HAM HUM!"

We just couldn't think of letting this issue go to press without recalling the origin of our Club paper anymore than we would dare forget the XYL's birthdate or a box of candy the day after the night before.

Seems that HAM HUM has been around for a long time but according to the record, it was conceived in February of 1951, endured a two months pre-natal period and then in April of '51 the name "HAM HUM" became a vital statistic throughout the Nebraska area.

The first issue was published during the presidency of JKE, Earle Olsen, with, instead of a name, a headline which read "Name me and win a valuable prize". Issue No. 2 appeared under the "Ak-Sar-Ben Radio News" name, but apparently the name the paper contest was well under way.

Such names as "Splatter-tales", "Clix and Chirps", "The Snooper" and a jillion others were submitted, but it took the ingenuity and originality of Mary Richardson to conjure up the "HAM HUM" name and with it the contest prize.

What is a birthday party without a bit of humor, so what would be more befitting than the choice morsel that appeared in Volume No. 1, Issue No. 1 of February, 1951. "It has been heard that Rosenquist, EHF, Stratbucker, HZE, and Curry, QXR, have undertaken the establishment of manufacturing a certain femine garment and are currently making only three types; Russian, Salvation Army, and American. The function of the Russian type is to uplift the masses, the Salvation Army type to raise the fallen, and the American type to make mountains out of molehills"..... oh well.

Thus, from a 3 page mimeoed paper our official organ has grown to the point where it now reaches, each month, almost every state and on to a few foreign countries, too. Some of it's caustic remarks have brought down upon us the wrath of the Pentagon and at the same time has been the "mouthpiece"

of the Nebraska amateur fraternity enabling us to publicize the merits of our hobby when one newspaper cities have seen fit to take the opposite stand.

Speaking for those that have taken part in putting HAM HUM "to bed" 63 times since it's birth, we all feel like foster parents, for we want it to grow even bigger, never get into trouble and to always be a respected part of the fraternity.

HAPPY BIRTHDAY...and may no one by-pass this HAM'S HUM!

### CORRECTION AND CONGRATULATIONS!

In several of the past issues we have made the statement that there is only one holder of the DXCC in the State of Nebraska. With a crimson glow we very heartily apologize to our good friend Bob Rosenquist, WØEHF. Bob has held his certificate for several years, but for some reason the fact escaped my very weak mind. Sorry, Bob, and we'll try not to let it happen again.

Congratulations are in order for Frank, IOS, and CPM, Bill, who both have now worked and have confirmed the 100 DX contacts necessary for the DXCC. It looks like Nebraska

is making progress, so...who will be the next member of the coveted group?

---

20 meter DX information from DX stations is mighty scarce these days and our good friend Rod Newkirk, W9BRD, Dx Editor of QST needs all the info' possible. If you have any current material on calls, frequencies, or news pertinent to the DX department, send it along to Rod for it will be appreciated.

### CQ OMAHA CONTEST

#### GAINS MOMENTUM

It's surprising as to what you will hear on the various bands these days! After a slow start, the CQ OMAHA contest is starting to catch on and it seems to be bringing out of hibernation some real old timers that haven't been heard for a mighty long time. To hear a local 10 meter rag-chew is quite a change from a month ago, and particularly when the gabfest continues for more than 2 hours. The requests for QSL'S continue and it appears that there will be numerous. If you have not as yet gotten into the swing of the contest, all you have to do is get on any band, call

*(Continued on page 19)*

## WATERLESS FLOOD HUGE SUCCESS

The 1956 Flood Exercise held on March 17th, by the U. S. Corps of Engineers in conjunction with several other local organizations came off in good style.

ARC played a dual role in the operation by setting up mobile stations at Blair, Nebraska on 3983, Riverside School, near Ft. Calhoun, Nebraska, Engineers Service Base, Council Bluffs Pumping Station, and Bellevue Water Works, all on 29,640. A 2 meter link was set up between Civilian Defense Headquarters at the City Hall and the main control center at Engineers headquarters. In addition, a relay station was in operation from Hummel Park on 29,640.

With little difficulty, approximately 125 messages were handled and every man that participated in the exercise is to be congratulated for their patience, perseverance, and efforts put forth to make this a successful venture. As a result of the activity we learned some lessons, too. It was very indicative of the need of practice and training in procedure and message handling. Regardless of whatever shortcomings were observed, they will be improved, I'll betcha.

Col. Brown of the Engineers extended his sincere thanks for the participation of the many amateurs that played an important role in the entire program and specifically to the following: George Fox, WØAEM, Mobile Amateur Radio Co-ordinator; Larry Caccamo, WØNMN, Base Station Control; Lou Tourek, WØPIZ, Mobile Station D, Council Bluffs Water Plant; John Orr, WØPHW, Mobile Station A, Blair, Nebraska; Wendel Larsen, WØNPA, Mobile Station B, Fort Calhoun, Riverview School; Tony Helbling, WØQMW, Mobile Station C, Corps Engineers Service Base; Ed Gutman, WØCQX, Mobile Station E, Bellevue Power Plant; Dick Nystrom, WØUKQ, Base Station Operation; Dorothy Hicks, WØBRZ, Base Station Operation; Curt Hicks, Base Station Link Operation; Harris Greenhagen, WØUJT, General Mobile Operations; Rolly Johnsen, WØSPQ, Standby Relay Operations; Rudy Nable, WØSPE, Standby Relay Operations; Harl Bercovici, WØBHT, Standby Relay Operations; Dick Eilers, YZV, Base Station Operations; Lou Cutler, VLI, Mobile Operation; Art Stadler, QMD, Base Station Operations.

## HURRY BACK, GEORGE

These are the kind of items that you just don't like to write, but I guess you just can't keep a good man down!

AEM, George Fox, is taking a leave of absence from the Club for about 9 months and we're really going to miss him. As a member of the IBM organization, George is being transferred to Poughkeepsie, N. Y. for advanced training and will then return to Omaha.

A long time member of the Club, George has been very active in just about every function and particularly in mobile activity. As mobile Chairman we have had many fine hidden transmitter hunts under his direction. As a member of the Board of Trustees, George has served us well.

Have a pleasant and enjoyable stay in the Empire State, Foxy, but hurry home..we'll be looking for you.

---

We now have a new man wearing the green eye shade and straw cuffs which denotes the office of Treasurer. UKQ, Dick Nystrom, the recently appointed member of the Board of Trustees,

succeeds Bob Stratbucker in this important position. Bob as you know, is our new Veep.

---

Just in case your looking for an interesting week end come April 14th, we suggest giving consideration to the Hamvention to be held in Dayton, Ohio. The Dayton Amateur Radio Association extend a cordial invitation to all radio amateurs, their YL's, XYL's, and all others interested in amateur radio.

Based upon last year's attendance, 2,000 registrants are expected, with 1,000 to attend the banquet. In addition to delightful organ music by ARC member Leo Meyerson, WØGFQ, and \$3,000 in prizes, there are many and varied activities scheduled. When you leave for Dayton, be sure to take with you a 13½ inch folded dipole connected in series with a germanium or silicon diode and a capacitor, with a headset across the capacitor to use as your receiver in the 430 mcs hidden transmitter hunt will be held in the hotel! For more info', contact the Dayton Amateur Radio Assn., PO Box 44, Dayton, Ohio.

## INSTALLATION OF THE MOBILE TRANSMITTER

Much can be said about the installation of the amateur mobile transmitter but in the end, the transmitter is usually installed in the easiest method. Why? Well, possibly because of the lack of tools, lack of facilities, or, just the urge to get the equipment in the car and call CQ. There is no real need for this, except in the case of the new type of average amateur who I some times suspicion is unable to determine the proper end of a soldering iron to latch onto. In this case experience is a wonderful teacher. Hi

It has long been a known fact that the receiving equipment is much more difficult to design and construct than the transmitting equipment. For this reason most all hams purchase commercial receivers. At one time, quite a few years ago, most all amateur transmitting equipment was home designed and constructed. Since the last war, the big one, the amateur fraternity has gravitated to the commercial transmitter, no matter the cost or inconvenience. So here we are.

In placing the transmitter in the car we must consider two cases. The first case is that of the single unit, ie, combined VFO

and transmitter, or transmitter without VFO. The second case is that of the two piece unit, VFO and transmitter.

The combined VFO and transmitter unit is usually a large unit and because of this, the space available is limited in most cases to the bottom of the dash, in the center, or far to the right. A single unit transmitter, without VFO, being smaller may be placed in many more places, including the trunk. The transmitter unit with separate VFO allows the VFO, which is usually quite small, to be placed near the driver.

All of the safety aspects of receiver position as outlined in the article in last month's Ham Hum should apply to the transmitter. But because of the need for seldom retuning the transmitter, it is quite practical to place the transmitter at a distance from the driver. Picture number two shows one possibility of placing the transmitter completely out of the driver's compartment. This installation would allow tuning from inside the car, and with the VFO mounted up front, little of the needed knee room is used. Any mounting of equip-

*(Continued on page 9)*

1

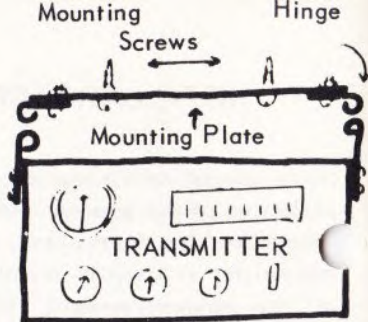
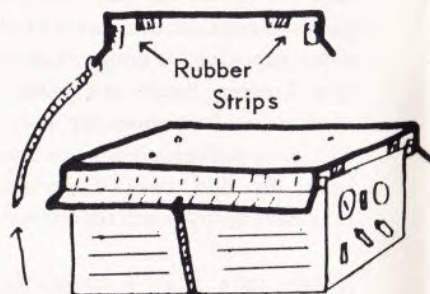
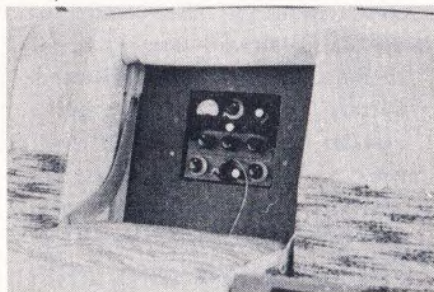


Figure 1

New Hinge Pin  
2 required

2



Screen  
Door  
Spring

Figure 2

3

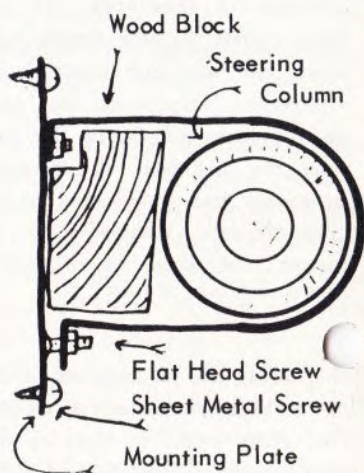
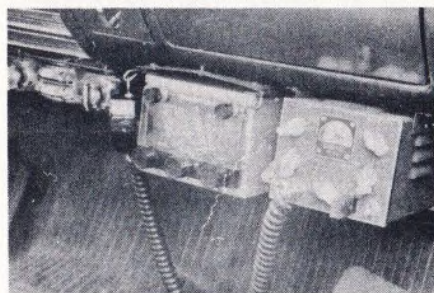
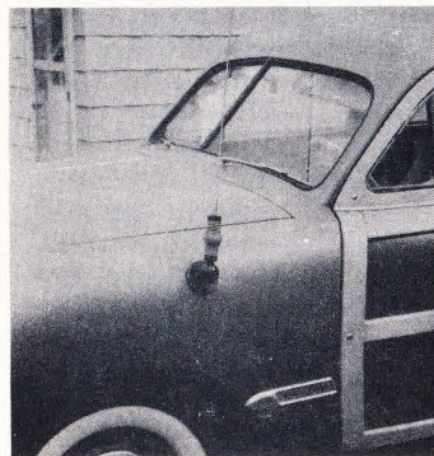


Figure 3

4





*(Continued from page 7)*

ment in the trunk will allow crystal operation and possibly be the best installation for one and operation.

Picture number three shows a typical installation of a small one band transmitter installed at the far right of the dash. A VFO mounted near the steering wheel would provide more flexible operation.

Another angle must be considered for the truly practical installation, that is, accessibility and ease of removal. Figures one, two and three show some possibilities of mounting equipment for easy removal. These three possible mounting methods also offer another advantage, which is ease of installation. A base plate is used, the base is screwed to the dash or what have you, and the transmitter is slipped into place.

Figure one pictures a base plate approximately the size of the equipment to be mounted. This plate may be longer or wider than the equipment in order to fit the shape of dash or fire wall. Fasten one half of a pair hinges to each side of the equipment and the other half of the hinges to the base. Select the hinges to have approximately one eighth inch diameter

pins. Purchase some 1/8 inch iron rod from a hardware store and cut a pair of new long hinge pins. Mount the base, or mounting plate in the car and then place the equipment in place and insert the pins. In order to remove vibrations, which may result in rattles, place a piece of sponge rubber in the space between the mounting plate and the equipment.

Another method of easily mounting equipment is to shape a mounting plate as pictured in Figure 2. The plate is shaped to hold the equipment from shifting and to provide clearance between the spring and the sides of the equipment. After shaping the mounting plate, glue strips of sponge rubber to securely hold the equipment. The spring is hooked into a hole on one side of the mounting plate and pulled tightly down and around the equipment and hooked into hole on the other side.

Mounting equipment on the steering column may be a bit more tricky. Mounting should not be attempted if there is much vibration of the column while driving the car. Figure 3 pictures an end view of a mounting detail which will be very satisfactory. A wide strap is fitted around the steering column, this strap should be long enough to

*(Continued on page 15)*

## TO BE OR NOT TO BE... THAT IS THE QUESTION

We come not to praise a club house nor to deny it....but that is the question!

For the past two years there has been much discussion among members of the ARC as to whether or not we should have a Club house in which to hold our meetings and to house the contemplated Club transmitter. The problem, at times, has become one where-by some fellows thought that the "old timers" were "agin" it and that the majority had no voice in the matter.

Let's take a few minutes and review the situation....look at the pros and cons of the problem...then put yourself on record, as a member of the ARC as to how you see the whole thing. This is your Club and as you indicate, so will the organization function.

First, let the writer go on record as stating that he is in favor of a Club house if it is economically feasible. There is nothing that I can think of that would give the Club more prestige, and recognition as an active amateur organization than an attractive, complete, orderly, well-run club house. It would afford us a location to use as a base station for emergency con-

ditions, a permanent location for our mobile generators, plus a meeting place for which we would be indebted to no one but ourselves.

Have you ever given the problem a down to earth going over in your mind, or have you merely thought how fine it would be to have that coveted property to call our own? To begin with, we have a membership in excess of 125 members. It would be folly to consider a structure any smaller than one sizeable enough to house a full attendance. With a normal attendance of 65 to 80 members at each meeting, and our attendance growing each month, how big should the building be? Now, we also need space for the transmitter, a place to serve our refreshments, rest rooms, place for storage, and that very modern pot-bellied stove to keep the joint warm in the winter. Uncle Sam says that you should have a minimum of 9 square feet for each person involved. That doesn't account for anything but auditorium space! If we consider 9 feet for each of 125 persons, we arrive at 1125 square feet. Add 50 % for the other needs and it appears that we need, roughly, 1687 square feet. At the going rate of \$8 per square foot for

*(Continued on page 15)*

MAIL THIS  
QUESTIONNAIRE  
TODAY  
TO

AK-SAR-BEN RADIO CLUB, INC.

P.O. BOX 626

OMAHA, NEBRASKA

### CLUB HOUSE QUESTIONNAIRE

Date \_\_\_\_\_

Are you a member of A.R.C.? \_\_\_\_\_ Senior \_\_\_\_\_ Student \_\_\_\_\_

Do you believe that the ARC should \_\_\_\_\_ should not \_\_\_\_\_ have a club house?

Where do you suggest that it be located? \_\_\_\_\_

Should a club house be large enough to serve as a meeting place? Yes \_\_\_\_\_ No \_\_\_\_\_

Should a club house be considered that is large enough only to be used as a transmitter site? Yes \_\_\_\_\_ No \_\_\_\_\_

Please give your ideas as to the kind of club house that you suggest \_\_\_\_\_

How much money should be invested in a club house? \_\_\_\_\_

What kind of construction? \_\_\_\_\_

What idea \_\_\_\_\_ you have for raising funds to finance such a venture? \_\_\_\_\_

Please give any thoughts relative to the subject that are not covered in the above questions \_\_\_\_\_

Feel free to write Box 626, Omaha, if you have any ideas that you would like to present to the Board of Trustees.

We are receptive to all suggestions.

\_\_\_\_\_



To have or  
Not to Have?

This is an important question.

We want your answers.

Fill in this questionnaire and mail today.  
The tabulated results of your answers will give  
your Board of Trustees *the* answer.



MAIL  
TO

AK-SAR-BEN RADIO CLUB, INC.

BOX 626

OMAHA, NEBRASKA

(Continued from page 9) **INSTALLATION ...**

fit the particular installation, the wooden block will fill the space and stiffen the mount.

The mounting plate may be placed at any angle with respect to the strap. Sheet metal screws fasten the equipment. Springs or other methods may also be very satisfactory for mounting the equipment to the mounting plate.

In all cases, it seems well worth the cost and effort to use plastic, or fabric tape between metal surfaces which might shift and either mar the finish of the car or cause a squeak.

Kick these thoughts around and let's hear your thoughts. Incidentally, the picture number 4 shows another position for the whip. This position allows use of a short piece of coax, though in some cases, commercial equipment is designed to work into a long piece of coax and will not work properly into a short piece.

Next month, some circuits and test equipment for the mobile station. See y'all mobile, check in Monday nights on the CD net on ten meters.

---

(Continued from page 10) **TO BE OR NOT TO BE ...**

coarse construction, we're talking about a \$12,000 investment, not considering the furnishings or equipment!

Among our members there are certainly those ambitious souls that say, "We can build it ourselves and cut that cost to the bone". How right you are, but who WILL do the job?

Our constitution provides that the indebtedness of our organization shall not at any time exceed our financial assets.

This proviso is for the protection of each member and apparently a healthy part of the Club's official guide.

We have tried to give you a few high-lights on the situation, so how about you filling out the questionnaire in the center of this month's HAM HUM, adding your personal views and forwarding it to the officers of the ARC for further consideration.

We want to act in accordance with your wishes, but we must know what you want. To be or not to be...That is the question....help us find the answer.

Ferris, WØYZK, reports that Stu, WØMGC, is sitting it out on Kwajalein. After numerous attempts to get through to Omaha on 20 phone, and especially to YZK who was heard several times, it took a switch to 10 to get the job done. Stu is now able to talk to his wife, Milly, here in Omaha. As of this date, at least three of the locals have gotten in on the act, namely, Harold, VIG, Bill, IGL, and Paul, GPE. Stu informs us that he has plenty of KX6AF cards and to look for him around 28560 Kc. and extends his 73 to everyone.

---

The mailman tells us that the new officers of the North Platte Radio Club are as follows: President, UFX, Veep, VEA, and OKF is the book and money man...Secretary-Treasurer. Good Luck, fellows for a successful term.

---

NOPE! we don't do it anymore! We have had a lot of requests for Nebraska Call books and inquiries as to whether or not we will publish a new edition. Unfortunately, our source of information on new calls and changes is no longer available, so with regrets it has been decided to discard the idea of a re-issue until such time as new facilities are available to us. Doggonit!

Our hearty thanks for the "Green Back" bouquets from; Henry Velte, WØABI, Armin Vogt, WØGBH, Gary Bernard, WØWRF. You have certainly lightened the mailman's load!

---

There has been some question as to whether or not cross band operation on the amateur bands is legal. NMN checked with ARRL and received the following reply: "There is no restriction against cross-band operation providing the regulations are observed in all other respects. For instance, the carrier cannot be left on while you are listening to the other fellow, except for the 11 meter band and above 51 Mc." This was received from W1UED at ARRL headquarters.

---

Frank Shopen, WØWQE, picked up stakes on March 16th and headed for his new and permanent QTH at Phoenix, Arizona. Frank took with him the all-band sideband and AM rig plus the mobile gear, so we'll undoubtedly be hearing WQE/7 in the near future. Frank's address is c/o R. Kopke, 4826 No. 34th Avenue, Phoenix, Arizona. Hope to hear you soon, Frank.



*WØGKL, Orville, makes OX  
sound easy!*



*Just part of the crowd at the  
March Meeting!*

*HZE---"well, wait 'till I get  
his money" \_\_\_\_\_*





Paul, KØBSV, and his XYL, KNØBSW, have a new addition in their home. No, It's not what you think....It's their new DX-100 recently added to the SX99. With a new receiver, new rig, and new ham plates on the shiny limousine, they've gone all the way!

---

"DX is such a splendid thing", and it really sounded more simple than ever to hear Orville Weimer, WØGKL, describe it at our last meeting. With an array of QSL's from the far corners of the world....some for general observation, and a few for only those who enjoy the "bare facts", Orv' kept the crowd on the edge of their chairs throughout his presentation.

If there was any doubt in the minds of the many members and guests in attendance as to the trials and tribulations of working DX, no longer should it exist. GKL did an outstanding job of explaining the many facets of this specific phase of ham radio by covering such subjects as DX...what is it, techniques of DX on phone and CW, DX...the past and future, and the tricks of the trade regarding DX QSL cards. Antennas, transmitters, receivers, location, and DX personalities all came in for their share of discussion during this very interesting presentation.

For those of you that missed this outstanding program, we extend our regrets, for it was one of the most interesting and enjoyable afforded the A.R. for a long time.

Congratulations and a multitude of hearty thanks, Orville Weimer, we enjoyed and appreciate your outstanding discussion.

---

During the course of GKL's presentation at the March meeting, the absence of the use of the typical "we" as used during QSO's became very conspicuous. When Orv' was asked why he avoided the word, he gave us the following explanation; Seems that he was chatting over the air with a fellow that said that "We have just been to the dentist and had our tooth pulled". "Boy, does our head hurt". After hearing that kind of usage, Orville says he prefers to use "I" as it should be.

Ed, PQP, informs us that Valley, Nebraska hams want to be heard as well as listened to on 2 meters. If you don't believe it, turn your long johns, little ole yaggi's, fussy arrays, are even your East and West dipoles in the direction of Valley listen for the results! Last week end NOW was home from school at Lincoln and had the old man's rig fired up, and boy what a signal!

(Continued from page 4)

"CQ OMAHA", carry on a conversation, have the QSO confirmed by a MAILED QSL card, and you're in business. Don't forget....the contest started on March 9th (midnight) and ends on May 11, midnight. A trophy and a year membership in the ARC goes to the winner! Good Luck.

## 2 METER CD LINK

With the advent of the formation of the new Omaha-Douglas County CD net, 2 meter checks are being made on 144.3 every evening to determine the reliability of this band for a link between Omaha CD headquarters and the State CD headquarters at Lincoln.

WQOHP is on the Lincoln end and UKQ at Omaha. Calls are made each evening from 8:00 to 8:05 PM and 9:00 to 9:05 PM. There is nothing exclusive about this sked, so turn the beam out Lincoln way and get in the act. We would appreciate having a report from all 2 meter hams as to your results. Let us know the regularity and consistency of WQOHP's sig into Omaha and also the same on Omaha sigs heard in the Lincoln area. Your reports will assist us in arriving at a definite conclusion.

## A BIG BOUQUET TO OUR UNSUNG HEROS

There are a lot of things we take for granted at the ARC meetings and among them are the serving of the coffee, cake, and pop. When the "boss man" YZV raps the gavel and says "Meeting adjourned", there is the usual mad rush to fill that empty spot with coffee or pop and those fancy "Grandma's Goodies". I'll bet the plate cap off of my 4-250A that the most of us don't even know who serves that grub! Those very elegant, but silent YL's and XYL's, members or no, seem to sense the exact moment to get up and get the food ready for the hungry crowd. Without disturbing a soul, they spread the table, cut the cakes, pour the drinks, and even watch out for the guests to see that they too get in on the take. How about a GREAT BIG verbal bouquet for the gals that so gallantly "dish it out"? At the forthcoming meetings let them know that we do appreciate their efforts by giving forth with a big smile and a THANK YOU MAM!

---

NEXT MEETING  
FRIDAY APRIL 13TH 8:00 PM  
AK-SAR-BEN 4-H BUILDING  
AK-SAR-BEN FIELD

## OMAHA-DOUGLAS COUNTY CD NET FORMED

On March 13th, a meeting of those interested in the formation of an Omaha-Douglas County CD net was held.

In attendance were Mr. Ed Rapp, Warning and Communications Officer, and Gene Stewart (WØWECL) Communications Officer, both of the FCDA, Region 6, at Denver, Colorado, and Fran Johnson, Nebraska State Radio Officer for Nebraska.

After a general discussion of the needs for an active CD net in the Omaha-Douglas County area it was agreed that such an activity should be developed. A form "Annex B" was prepared in rough draft style which will be finalized in the next few weeks.

The merits of the various frequencies available for RACES use were discussed at length. The matter of propagation came in for a lot of serious consideration. After hashing the pro's and con's from one end to the other, a unanimous decision was given to 144.3 Mc. to be used as the link between Omaha and Lincoln CD Headquarters, and 29,500 Kc. as the net frequency.

The first net meeting will be held on Monday, March 19th, at 9:00 PM, and each Monday thereafter at the same time. Roll call will be made by QMD. The plans at this time are to develop procedure, terminology, and the principles of RACES operation.

All those interested in participation in the Omaha-Douglas County CD Net are heartily invited to check in next Monday evening.

---

We see by the WBRS "NEWS-GRAM" that the Wheat Belt Radio Club of Herndon, Kansas have instructed their Secretary to file for incorporation of the Club. Congratulations, fellows, you won't regret it!

The familiar signal of WØLGX, Laurence (Red) Higginbotham, will no longer be part of the local rag-chews. We regret sending along the sad news that Red joined the "silent key" group on February 21st while a patient at the Jennie Edmund Hospital in Council Bluffs. It was a combination of lung cancer and heart ailments that brought about the sudden QRT.

W0SEE, Orin Miller, will soon begin the big job of dismantling, preparatory to his move to a new QTH in Council Bluffs. We understand that Orin already has a 60 foot antenna "stick" up in the air on top of a high hill. This will be the eventual site of a big stack that will be in operation before next fall. Have mercy on we little guys, Orin!

---

Just in case there was any confusion in your minds as to the official dates of the "CQ OMAHA" contest, here is the line-up; Started at midnight, March 9th, 1956, and continues until midnight, May 11th, 1956. Yours truly pulled another booboo when writing up the dates in the last issue....excuse please.

---

Mrs. "MGC" Stu Brierly has sent us a complete line-up on Stu's current operations. If your looking for a KX6 contact, Stu is the man to listen for, as he is in the Kwajalein Islands, operating on 10 meters and signing KX6AF. You will find Stu on 10 between 4 and 6 PM, Sunday thru Thursday, and from 2 until 6 PM on Friday and Saturdays. KX6land is 17 hours ahead of the mid-western time. During the recent DX contest, Stu had contacted 585 Stateside hams and the contest was not yet concluded when his XYL

received this report. A little latter in the summer, you will be able to hear Stu on 20 also, but give him a listen now, for he will welcome a shout from the old home town.

## AUDIO FOR THE AUDIO FILE AND THE AMATEUR

Terry Moss, W0CQD, President of the Moss Recording Service Company will be the guest speaker at our April 13th meeting.

With audio amplifiers playing such an important part in amateur operations, and the ever increasing interest in Hi Fidelity audio, Mr. Moss' presentation promises to be a very interesting, enlightening, and educational topic that you will not want to miss.

Since 1942, Mr. Moss has been devoting his efforts to the audio field. Today his Company perform commercial, industrial, and professional recording services for clients from coast to coast. These services include recording on film, tapes, and discs, thereby affording many opportunities to cope with this fast expanding field.

Among the subjects to be discussed is stereophonic sound. We will have an opportunity to

see and hear the vast differences between this and the ordinary types of audio recording commonly used.

The many and varied aspects of Hi-Fi components will be discussed as will audio distortion and the methods by which it can be measured be demonstrated.

If you have any questions on this intriguing subject to be answered, bring them along, for Terry Moss is the man that has the answers.

Here is another interesting program just for you, so be in attendance early.

## DIDN'T RECEIVE THIS ISSUE? ARE YOU STILL ON THE LIST?

This is the first issue on our revised mailing list. In the event you hear of any interested person who did not receive their copy, it is because they did not send in a card as evidence of their desire to continue their subscription. Have them send a card to P.O. Box 626, Omaha, Nebraska indicating their desire to receive Ham Hum.

## SUN SPOTS?.....NO SIREE!

Starve your young'uns, cut the XYL's food allowance, and start your diet right now!

In the next issue of HAM HUM we'll give you all the particulars on the BIG AK-SAR-BEN RADIO CLUB pancake breakfast to be held in the near future. We're not planning on serving "burp builders" nor will those be sun spots of flying saucers in front of your eyes when those griddles get going. Nope, you can get ready for some of the most luscious, delectable, tender pancakes that you and the family have ever eaten! And ...there will be all that you can stow away.

With a location for a Club transmitter already arranged, a committee functioning on procuring the gear, the only little detail remains is to gather together the cash with which to get the job done. So-o-o, by putting on the big pancake feed on a Sunday morning, while the weather is still cool and appetites are still ravishing, by getting the whole gang together, and a very nominal charge to each one in attendance we can get the whole job done in short order.

We'll have all the particulars nailed down in the next issue, but keep this one in mind by getting the gang together.

# HAM HUMDINGERS

HAM HUM will publish free of charge for non-commercial amateurs your HAM wants, swaps, or items for sale. All ads should be limited to 25 words or less and must arrive 2 weeks prior to the second Friday of each month for inclusion in the current issue. Send ads to HAM-HUMDINGERS c/o Box 626, Omaha.

CW TRANSMITTER, 75 watt. Separate power supplies for oscillator and final. 6146 pi-net final. Plug in coils for 80, 40, 20. \$25.00. Dick Reimund, WØLFM, 6830 Mason. RE 1585.

MODULATOR, 25 watt, PP 6L6's with low voltage power supply for speech amp and 6L6 screen. 6L6's plates run off xmitter. Give away at \$15. WØLFM. Dick, 6830 Mason. RE 1585.

4 element UHF 10 meter pre-tuned beam, \$25. 3 element UHF 20 meter pre-tuned beam, \$49.50. Both beams wide spaced and in perfect condition. See Frank Cooper, W ØIOS.

50 WATT TRANSMITTER. CW rig for CW. 80-40 meters. 6146 final and pi-net output \$15. Also command receivers. 1 for meters, 1 for 40 meters. Both converted, each with it's own power supply. \$10 takes both of them. WØLFM, Dick Reimund, 6830 Mason, RE 1585.

ANTENNA TUNER. All band, 1 KW. Finest components, relay, and many extras. Ready to go. Beautifully designed and in cabinet. Perfect. \$45. Call GL 2583. Frank Cooper, WØIOS.

VERTICAL ANTENNA. Complete with RG8U coax, guy wires, etc. Bandswitching antenna tuner included. A mighty fine 44 ft. installation. WØQMW, 6754 Blondo, Omaha, Nebraska

TR SWITCH, homebrew. Works FB on all bands. WØKYN circuit. First 10 bucks takes it home. Call WØQMW, RE 8723.

BC 455, converted for 40 meters. Complete with filament x former, 250 volt power supply. Ready to go. Only \$16. Larry Monson, 2551 Ida, KENwood 4800.

VIBROPLEX, original, deluxe. Perfect condition. \$15. Tony Helbling, WØQMW, 6754 Blondo Street.

WANTED: Communication receiver. Collins or similar type. Must be in top condition and priced reasonably. Call WØHZE, PLeasant 3169.

**AK-SAR-BEN RADIO CLUB INC.  
P.O. BOX 626  
OMAHA, NEBRASKA**

**NEXT MEETING  
FRIDAY - 8:00 P.M.  
APRIL 13, 1956**

**AK-SAR-BEN 4-H BUILDING  
AK-SAR-BEN FIELD**

**CLUB RATE  
U.S. POSTAGE  
Paid  
Omaha, Nebr.  
Permit No. 221**