



HAM HUM

AK-SAR-BEN
RADIO CLUB

WØEQU

May, 1955

P. O. Box 626

Omaha 1, Nebr.

Vol. V No. 4

THE SIGN OF EMERGENCY COMMUNICATION



The sign of emergency communication is the amateur radio call letter license plate. Through out the nation amateur call letters are appearing on automobile plates, 27 states now provide this standard method of recognizing amateur radio operators. This is indeed a service for the citizens of the nation.

(Continued on Page 10)

Ham Hum

Published by
AK-SAR-BEN RADIO CLUB
Post Office Box 626
Omaha 1, Nebraska

Editors:

Dick Eilers, WNØYZV

John Orr, WØPHW

Club Officers:

Art Stadler, WØQMD, President

Dick Eilers, WNØYZV, Vice-Pres.

Larry Caccomo, WØNMN, Secretary

Garry Greenwell, WØNRS, Treasurer

Membership is open to all with an interest in amateur radio and its activities. Dues are 50¢ per month or \$5.00 per year when paid in advance. Students' rate is one-half. Initiation fee is \$1.00. The meetings of the club are held at the Fontenelle Hotel on the second Friday of each month at 8:00 P.M.

Ham Hum is sent to all members of the club and others requesting it. Please submit any news or other information to P.O. Box 626 at least two weeks before the meeting date for that month's issue.

NOTICE

Next meeting will be held at the Fontenelle Hotel Friday, May 13. You are invited.

THE NEXT MEETING

The next meeting will feature a down to earth discussion by Sam Fidone, WØQAB, Sam an engineer with the World Radio Laboratories. The discussion will cover the practical aspects of planning a transmitter, parts layout and TVI elimination.

These are Sam's daily problems and he is very well versed on the subjects. The discussion will hinge on the work Sam had done in designing the well known World transmitters. There will be equipment for demonstration and suggestions for your future projects.

PROBLEM

We are slowly getting our mailing list in shape. Included in this issue are some additions to the club roster which was published last month. Hope we have included every one. The treasurer has just converted to a new system of bookkeeping which will make our jobs much easier. Our records will be more up to date. At the present time the paper is mailed, each month, to more than 390 people. We also keep a up to date I of the amateurs of the state. What with the sudden increase of the novice population, this list has lagged behind some.

CIVILIAN DEFENSE IN GEAR

Check Eilers, YZV, your Radio Officer and Vice President of the Ak-Sar-Ben Radio Club standing. Seated, left to right, are Larry, Art and Garry.



Civilian Defense plans are rapidly shaping up. The amateur in this area will be assisting the medical division. The routes for the evacuation have been settled and will be published shortly. Your Radio Officer will have a map showing these routes at the next club meeting.

The main control headquarters of CD will be at Valley and the secondary headquarters at Fremont. Zone centers will be at Wahoo, Valley, Fremont, Arlington and Blair.

The medical plans into which we fit are materializing rapidly. Hospitals will be set up in Blair, Oakland, Tecamah, Fremont, and Wahoo. There will be many aid stations set up between. Most of these points will, of necessity, be served by mobile equipment. Fixed stations will be needed at all zone and hospital points.

The need for many mobile and portable stations is acute. In order to assure coverage of each point several people will have to be assigned each station. During an evacuation there is no assurance that any one person will make it to any previously designated point. For example, of six people assigned to go to Blair as operators, only one might make it due to various evacuation routes. For each operator assigned two relief operators will be needed for a 24 hour period. Letters have been sent to most of you asking for your help. Send in your card now if you have not already done so. Address your replies to the Radio Officer, Box 626, Omaha 1, Nebr.

Your radio officer has been attending meetings weekly and is becoming well informed on the subject of CD. Your cooperation is appreciated.

CONVENTION MOVES AHEAD

Plans for the convention to be held in Omaha in October are really gaining momentum. The happy face is none other than your convention committee chairman Earle Olson, JKE. Meetings are being held once a month at the present time but will increase in frequency with time.



Rudy Rampacek, RMC, really surprised the committee when he came up with some outstanding letter heads. The art work was terrific.

The entertainment committee, starting out with a bang, is headed by Tom Fifer, AQJ. He produced some nice refreshments at the last general meeting which was held at the Fontenelle Hotel.

All ideas and suggestions are welcome and should be referred to either Earle or a committee member. Most of the plans for events have been stabilized and are being filled in.

QST AND CQ SUBSCRIPTIONS

Your club secretary will handle the renewal of your subscriptions. He will also let you know when your subscription is ready for renewal.

QST and CQ are magazines you will want to keep for future reference, you will want complete files of them. Don't buy haphazardly, subscribe through your club.

PAST PRESIDENT BECKER REPORTS

Greetings from W6 land! Congratulations on Ham Hum's new dress. Makes it more compact and readable. My personal congratulations to Dick Eilers on finally getting his call. I have just about deserted ham radio the last two years in the press of practice and of my other hobby, road racing. I have just discovered that my license is due to run out this month so I must get back on the air to get in operating time. Can't afford to let it lapse after 26 years. Got a big chuckle out of the thumb nail sketch in last month's Ham Hum. My regards to Father Strange. I sure miss the gang back there and if it weren't for the lousy weather there I'd still be in Omaha.

73 Doc Becker



FIVE NT WINS HUNT

The man pictured above, wearing the large economy smile is none other than Charlie Vanderpool, W5NT, and winner of the hidden transmitter hunt. The hunt, held April 17, was a challenge to local mobiles.

At promptly 2:00 PM the hidden transmitter went on the air from a location on the river bottoms east of Hummel Park. It wasn't long before the direction was determined and the gang headed north. At the transmitter were Art, QMD and Al, JJK. The transmitter used was a Globe out powered by a gasoline driven generator. Charlie found the transmitter first without the aid of the usual direction finding equipment used.

Novice Notes

Another of those popular and practical father and son teams is providing much fun for Dick and Frank Nystrom, WNØUKQ, and WNØUKE, respectively. Very active on two meters these fellows also do a lot of building and modifying of surplus gear.

The two meter rig is a SCR522 which feeds a 16 element antenna. Operation on 80 is with a Stancor 10P and a SX25 receiver. Dick also has a technicians license.

Any novice interested in forming a CW novice rag chewers club are urged to contact Rolly, SPQ.

We would like to stress the fact that novices some times are apt to give out excellent signal reports when the actual signals are a bit under par. We find that an honest evaluation of signals is usually very much appreciated. It is your honest report which gives a fellow an idea of how well he is getting out.

73 Rolly, SPQ

OFFICIAL BULLETIN NR 492
FROM ARRL HEADQUARTERS
WEST HARTFORD, CONN.,
APRIL 21, 1955, TO ALL RA-
DIO AMATEURS.

Effective April 14, 1955, FCC amended Section 12.46b of the amateur regulations to include the radio-telegraph third class commercial permit with the second and first class licenses to allow an applicant for any class of operator license, except for Extra Class, to be given credit for the code examination.

COMMERCIAL TICKETS

Charlie Vanderpool, 5NT, and Rod Rosse, BCA, have both received their second class commercial tickets. Rod is looking for some place to put his ticket to work. Charlie attributes his success in passing the commercial examination to his resumption of ham activities in the past year.



MAY TRANSMITTER HUNT

The next hidden transmitter hunt planned by the mobile ac-

tivities committee will be held May 22. Committee chairmen, George Fox, AEM, and Damon Nuckols, UIO, would like to bring you a new hidden transmitter each month. They would like to stress the need for a mobile transmitter in each car participating, though it is not absolutely necessary during the first few hunts. Eventually, when we catch on to the easy methods of locating the transmitter, the committee will make it more difficult to locate.

To make it more difficult to find, the transmitter will not remain on the air continuously. A signal will be transmitted for a few minutes at the start of the hunt. From then on you must contact the transmitter and ask for a signal to take a fix. Of course when you ask for a signal everyone else will take a fix. Obviously the fewer signals you ask for the more difficult it will be for your competitors to locate the transmitter.

The next hunt will follow the same prearranged rules as the previous hunt. We will meet at 30th and Douglas streets before 2:00 PM. To enter, the fee is twenty-five cents per car. The money collected will go to the winner.

OUTSTANDING NEW STATION

A new amateur some times finds difficult to get on the air due to many technical and physical problems. Rolly Johnsen, SPQ, has hurdled most of the difficult problems with enthusiasm.

Rolly received his novice license in February of 1954 after attending classes conducted by Mr. Allm. Active from the very start on CW, Rolly had little difficulty with the code. Even today with his general ticket in his pocket, Rolly is interested in CW. Possibly this is because many of his friends hold novice licenses. Maybe Rolly realizes that CW is the basic form of radio communication, a form of communication which requires a specialized skill and little equipment.

Sharing an upstairs bed room with his brother, Rolly has enclosed the entire transmitter and receiver in a metal cabinet. Across the room from the ham station is a salamander zoo. They seem quite happy with their co-existence life.

The station at SPQ is home constructed and very neat as the photo bears out. A pair of 24G's in parallel run cool at



150 watts phone. A 6AG7 and an 807 comprise the oscillator-driver section. At the present time the rig is grid modulated with a 6L6. Future plans call for full 100% AM plate modulation. The power supply is well capable of doing the job. The receiver is a SX71 and is also fitted into the cabinet just above the operating shelf.

A freshman at Benson High School during the day and a ham at night. A city boy during the school year and a ranch hand during the summer. The strange thing is that ham radio often finds it's way into school activities and into ranch life.

(Continued on Page 12)

ADDITIONS TO CLUB ROSTER

Please keep these names with the roster from last month's Ham Hum.

Jim Noland	525 Park Ave.	HA 9240	AWK
Don Grensman	2603 N. 70	RE 4085	TRK
Ray Hagrman	3726 N. 52	PL 7638	ARU
Tony Helbling	6754 Blondo		QMW
Dick Downing	4537 Grand Ave.	KE 6517	
Mike Trimble	3222 Cook		AVB
Dave Schinker	1418 So. 48		XDR
James Droege	140 So. 38	HA 4237	YCP
Karl A. Dalstrom	9811 Calhoun Rd.	R.F.D. #6 Omaha	QNL
Dick Curzon	4545 No. 39		AIS

CLUB ACTIVITIES

The activities of the club are as varied as the members themselves. There are plans for a picnic this summer. Field Day plans are moving and promises to be a nice event. Our participation in the evacuation of Omaha will provide an interesting and educational event. The highlight of the year will be the Mid-West ARRL Convention in October.

The June meeting will feature an excellent movie entitled "A for Atom." The film was produced by General Electric and is an interesting color cartoon on the structure of the atom. It explains very simply how energy is obtained from splitting the atom.

LOST, STOLEN OR STRAYED

Who is WNØZPG? We are holding a QSL card for him. The card is from KN4AZM. Call us, PL5732 and we will mail it out.

NOTICE

The next meeting will be held as usual at the Fontenelle Hotel. The date will be May 13, 1955, a Friday. Don't stay at home on Friday the 13th it is too risky, the rig might burn up.

MOTTO

"If you can't convince 'em confuse 'em." We note that this has been tried at several meetings. Hi!

A TRANSISTORIZED FIELD STRENGTH METER

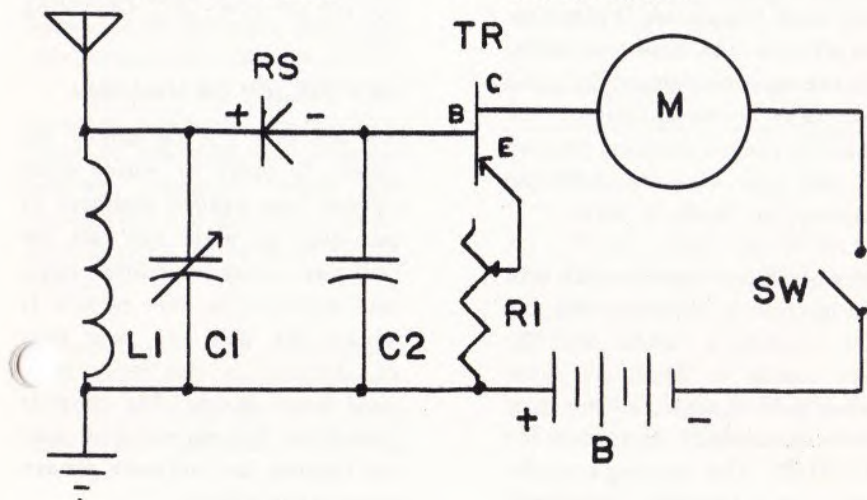


A one evening project suggested by Al McMillan, JJK, will make your experimentation easier. By using a one MA. meter sensitive field strengths may be compared. Expensive 10. micro ampere meters normally make a tool such as this far out of reach of the average amateur, but by using one MA. or less meter and amplifying the current with a CK722 or CK721 the same results are obtained.

This project may be easily finished in one evening at home and will provide many hours of operation due to the low current consumption of the transistor.

The tuned circuit L1 and C1 may either be fixed for one range of frequencies or be plug in units for covering wider ranges of frequencies.

The CK722 will give amplification of approximately 12 while the slightly more expensive CK721 will give amplification of 30. In other words, without the transistor amplifier a signal giving 10 micro amperes with the CK721.



(Continued from Page 1)

Communication is the back bone of emergency operations. By communication we first recognize the emergency. By communication we organize to combat it. An emergency usually means, among others that communications are cut to some locale. Normal methods of communication, easily destroyed by civil disasters, ie. floods and tornados, must be supplanted by other methods. The amateur with his skills and equipment plays a tremendous part in these emergencies.

By providing the amateurs of Nebraska with identification in advance of the need, our facilities are brought into play easier and quicker.

We in Nebraska can rest easier, our state legislature is planning wisely for our future security. These men recognize the need for radio communication. The amateur radio operators, like the Minute Men of early American history, are ready to serve.

Membership is open to all with an interest in amateur radio and its activities. Dues are 50¢ per month or \$5.00 per year when paid in advance. Students' rate is one-half. Initiation fee is \$1.00. The meetings of the club are held at the Fontenelle

Hotel on the second Friday of each month at 8:00 P.M.

OFFICIAL BULLETIN NR 491
FROM ARRL HEADQUARTERS
WEST HARTFORD, CONN.
APRIL 14, 1955, TO ALL RA-
DIO AMATEURS.

Effective April 24, many sections of the United States will change to Daylight Saving Time. At that time, all WIAW operation will change to Eastern Daylight Saving Time. Those amateurs in areas remaining on Standard Time are reminded that the WIAW Official Bulletins, code practice transmissions, CRPL propagation forecasts and other announced ARRL Headquarters Station Operating activities will have to be tuned in one hour earlier than usual. Further details and a complete WIAW summer schedule will appear in May QST Operating News.

NEW POLICY OF HAM HUM

We are now paying money for news. In order to entice some of the long winded members of our club to write not talk we will pay money for written news and articles. So here is how it works. We will pay your cost of mailing in the reply p card found inside this copy of Ham Hum. For our rates on matter running into volumes please contact the editors.

LOCAL TWO METER NOTES

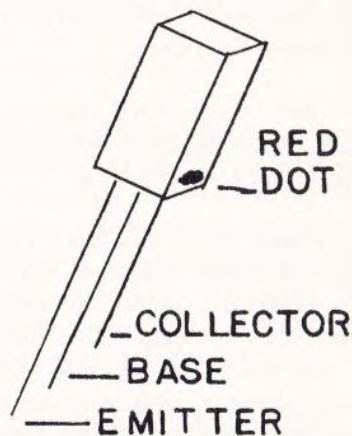
The swing to two is increasing with many new stations reporting in each week. Often there are three or four stations in a roundtable. Several mobile stations have appeared on the scene. Dick, YZV, is very mobile. Still using the inside antenna, he moved upstairs when his report is poor. The increase in height makes a pronounced increase in signal strength at the receiving station. Picking up the Gonset Communicator and putting it in the car makes an ideal mobile rig. The installation is quick and the rig merely sits beside the driver. Easily disconnected, the rig can be taken inside to act as a fixed station. By the way Dick has worked into Des Moines with the Communicator and using the same inside antenna. The station worked was WØUOP, Rocky.

Down in Bellevue, George Fox, AEM, is one with a 16 element antenna mounted above his house. The rig there is a modified surplus job with an 829 in the final.

Note to the two meter gang: Be sure and take occasional breaks and tune the band. With directional antenna it will be

necessary to rotate the antenna while tuning the band. I would suggest a calling frequency for this area. Possibly some CD frequency. With more people calling CQ on one frequency than the receiver may be left set and merely rotate the antenna to search for new stations.

(Continued on Page 13)



PARTS LIST

- R1 15,000 ohm potentiometer
- M 1 ma meter or less.
- C2 .001 ceramic
- RS 1N34 diode
- SW Spst switch
- B 3 to 6 volts pen lite cells
- L1 and C1 to resonate at desired frequency
- TR CK721 Transistor

LOCAL TWO METER NOTES

(Continued from Page 11)

Rumor has it that there are me stations in Wahoo but they haven't been heard from, to date. Lincoln hasn't been heard from for quite some time. The fellows in Omaha are on and usually tuning the band on the hour each evening at 7, 8, and 9.

CREDIT AND THANKS

Our good friend Lee Beckley, SRR, has brought our library of QST magazines up to date with a contribution of magazines from January, 1951, through December, 1954. Larry Caccomo, NMN, informs us that that practically brings our library up to date. As most of you know, we have a collection of QST magazines dating back to about 1923. Sorry to say that the magazines are not for loan until we can get them bound and available.

RECAP OF LAST MEETING

The last meeting of the club was made very interesting by a visit to television station, KMTV. After a very short business meeting, the club members and guests present left the hotel and assembled at the TV station. The tour was very interesting and provided a look-see at the big rigs. Many noted the well kept logs. The temperature of the water on the big bottles is recorded every half hour. The filters on the coax feeding the antenna were as large as many amateur transmitters.

After the visit the group again gathered at the hotel for a rag chew and refreshments. Pictured below are a few of the visitors to the television station. Some have that look, "Ya mean to tell me, it takes all this gear to cause TV?"



ACTIVE 75 METER MAN NOW IN DECATUR

Father Tom Haller, NAA, formerly of Omaha and St. Mary, Kansas is now in Decatur, Ill. His SSB rig is being kept by QHG.

GOOD NEWS

We have just learned that Carl Steirs, WNØWYV, has passed his examination for general class license and is waiting for the ticket. Carl, unable to leave home to take the exam, was examined by Ed Bernard, WØCKI. Since receiving his novice license, Carl has worked over 30 states. A National receiver and a Viking I complete the station. Incidentally, Carl can really handle a bug like an old pro.

KEY CLICKS

A card received in the mail informs us that any key clicks heard on 80 may be coming from WNØZCP, all in fun of course. He says the new key clicker is a heath kit rig which he just finished wiring up. Since receiving his license, Steve Brown has worked 18 states. His receiver is a S-38.

NOTICE TO ALL NOVICES

Recently started on two meter is a code and theory class. Not intending to lure novices away from the CW bands, but rather to stimulate an interest in the high frequencies and provide code for easy copying. The code and theory session is held every Tuesday night starting promptly at 7:00 PM.

There is a 30 minute discussion of theory. The text books used are the 1955 edition of the ARRL Radio Amateur Handbook, current copies of CQ and QST magazines and the ARRL License Manual.

Code is sent tone modulated and will last almost an hour. Speed of the code will vary from six words per minute up. The last 30 minutes will be above ten words per minute.

The entire session will be sent from magnetic tape, which is prepared in advance. If you experience any difficulty in receiving you may call PL 5732 during the session.

In the next issue of Ham Hum you will find plans for constructing a single two meter receiver.

LOOP ANTENNAS

The loop antenna is quite successful as a direction finding device. We here in Omaha find them, and their use new to us. Two of the more common types are pictured on this page. Larry Caccamo, NMN, mounted his loop on the front of the car and rotated it with ropes. Frank Fernald, the Big Tough Elephant, merely held his up over the car. Well it didn't rain, Frank. Hi!

TOPSY TURVEY LAND

In a recent letter from Alan Fleming, W9WFK, an ex-club member who is now living in far-far away Chicago. Really it's farther than you think. Here is what Al has to say. "I got my Ranger going and the Fire Marshal requested that my antenna be RAISED seven feet." Al says he will send us some pictures which we will almost need for proof. Hi.



AK-SAILOR EN RADIO CLUB
P. O. BOX 626
OMAHA, NEBRASKA



NEXT MEETING
MAY 13, 1955
FONTENELLE HOTEL
8:00 P.M. FRIDAY