



# HAM HUM

Published by

AK-SAR-BEN RADIO CLUB, INC. - Omaha, Nebr. 68101

Post Office Box 291 - Downtown Station



Vol. XX

No. 1

January 1970

# Happy New Year!



**HAM HUM** is the official organ of the Ak-Sar-Ben Radio Club, Inc., of Omaha, Nebraska, mailed monthly to all members and to others upon request.



Next copy deadline: January 30th

Published by

AK-SAR-BEN RADIO CLUB, INC.

Post Office Box 291

Omaha, Nebraska 68101

Editor: Dick Eilers, WØYZV

Phone HOME: 391-2255

BUSINESS: 342-1402 - EX. 337

Associate Editor: John Snyder, WØWRT

Phone HOME: 556-1538

BUSINESS: 551-0669 - EX. 518

Associate Editor: Ervan Heinz, WAØEEM

Phone HOME: 553-2033

BUSINESS: 553-4700 - EX. 331

## THINK!

### U. S. Downfall Plotted 50 Years Ago

In May of 1919 at Dusseldorf, Germany, the Allied Forces obtained a copy of some of the "Communist Rules for Revolution." Now, fifty years later, the Reds are still "following the rule." As you read the list, stop after each item and think about the present-day situation where you live - and all around our nation. We quote from the Red Rules:

A. Corrupt the young, get them away from religion. Get them interested in sex. Make them superficial, destroy their ruggedness.

B. Get control of all means of publicity, thereby:

1. Get people's minds off their government by focusing their attention on athletics, sexy books and plays and other trivialities.

2. Divide the people into hostile groups by constantly harping on controversial matters of no importance.

3. Destroy the people's faith in their natural leaders by holding the latter up to contempt, ridicule and obloquy.

4. Always preach true democracy, but seize power as fast and as ruthlessly as possible.

5. By encouraging government extravagance, destroy its credit, produce fear of inflation with rising prices and general discontent.

6. Foment unnecessary strikes in vital industries, encourage civil disorders and foster lenient and soft attitude on the part of government toward such disorders.

7. By specious argument cause the breakdown of the old moral virtues, honesty, sobriety, continence, faith in the pledged word, ruggedness.

C. Cause the registration of all firearms on some pretext, with a view to confiscating them and leaving the population helpless.

Take time to think seriously of the above and draw your own conclusions.

(Sent in by Erv Heinz, WAØEEM)

\*\*\*\*\*

## REPEATER CONTRIBUTIONS

Additional cash contributions toward the operating expense of the repeater have been received from the more of our Club members, as follows: WAØDHU, KØMSS, and WAØQLE. The repeater fund now totals \$60.00. All contributions gratefully accepted.

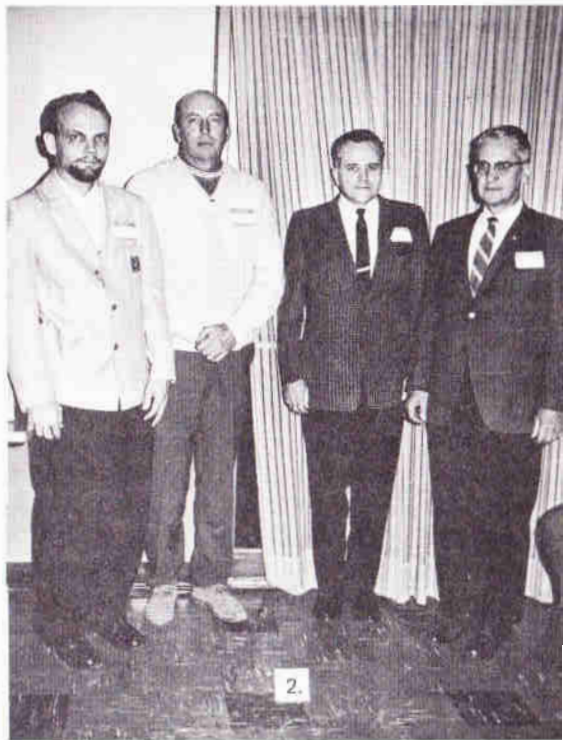
\*\*\*\*\*



## DECEMBER ANNUAL MEETING

The annual meeting and Christmas party of the Ak-Sar-Ben Radio Club, Inc. was a huge success. Picture 1 shows Dick L. Eilers, WØYZV, Chairman of the Nominating Committee, presenting the new slate of Officers and members of the Executive Council who had been nominated and were elected: President, Harold E. McClenahan, Jr., WAØDGA; Vice President, James C. Droege, WØYCP; Executive Council, Robert D. Andrus, KØLUG, Edward F. Askew, WAØRDZ; Dr. Stanley M. Bach, WAØIIX, and John D. Snyder, WØWRT.

Picture 2, left to right, shows Jim Droege, WØYCP, Ed Askew, WAØRDZ, John Snyder, WØWRT, and Dr. Stanley Bach, WAØIIX.





Then Connie Bowen, WAØMYF, made her second presentation in picture 5 — a plaque to Immediate Past President Johnson, WAØKIL, in deep appreciation of his service during the past year. Royce, WAØKIL, our Kind, Intelligent, Leaders in picture 6 congratulated the new President-Elect and turned over the gavel to President Harold E. McClenahan, WAØDGA, with smiling Connie giving her nod of approval.

Picture 3 shows Connie Bowen, WAØMYF, presenting Jim Droege, WØYCP, with a special plaque in appreciation for his outstanding effort on promoting and maintaining the Club's two meter repeater. President Johnson looks on approvingly of the presentation and in picture 4 he reminisces over the past year.



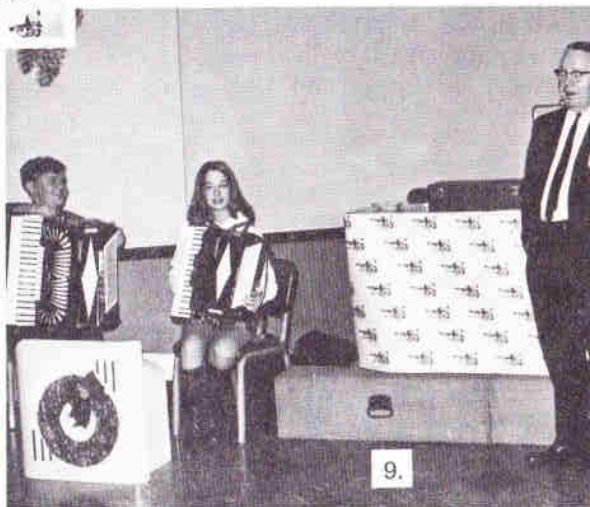




President Harold (picture 7) accepts token of office and jokingly says that "He has big shoes to fill!" Royce told him that "He had just the big feet to fill them!" Hi! Hi!

Then hardworking Bob Lockwood, WAØDHU, (picture 8) announced the new code-theory class to start on January 6th at the Red Cross Chapter House.

Program Chairman and Treasurer Hank Dworak, WAØQLE, (picture 9) introduced the special entertainment — Rosemary Dworak and Kurt Sorenson, the Swinging Accordionists (picture 10).





Picture 11 shows the Club membership joining in caroling with our singing Past President Bob Lockwood directing the cool "Ule."

Gifts were exchanged by the membership and picture 12 shows Virginia Johnson, WAØNCO, who won the special women's door prize — Corning ware.

Santa left the YLs and Jr. Ops little gifts, candy, nuts, Crackerjacks, and the works, with refreshments of cake, ice cream, pop and coffee for all.

The entire Club wishes to acknowledge the hospitality of Mr. Dick Eilers and the World Insurance Company for the use of their fine facilities. We are indeed grateful to him and his staff for their continual support of amateur radio.

By Erv Heinz, WAØEEM

At the December meeting of the new Board of Trustees held after the annual meeting, Carolyn Bowen, WAØMYF, was reelected Secretary, and Henry J. Dworak, WAØQLE, was reelected Treasurer of the Club.

\*\*\*\*\*



## 1970 BOARD OF TRUSTEES

President	Harold E. McClenahan, Jr., WAØDGA	(1970-71)
Vice President	James C. Droege, WØYCP	(1970)
Past President	Royce E. Johnson, WAØKIL	(1970)
Executive Council	James C. Anderson, KØDNE	(1970)
	Robert D. Andrus, KØLUG	(1970-71)
	Edward F. Askew, WAØRDZ	(1970-71)
	Dr. Stanley M. Bach, WAØHIX	(1970-71)
	Carolyn Bowen, WAØMYF	(1970)
	Henry J. Dworak, WAØQLE	(1970)
	Dick L. Eilers, WØYZV	(1970)
	John D. Snyder, WØWRT	(1970-71)

\*\*\*\*\*

## PAST PRESIDENTS OF THE CLUB

1945	Nels Peter Nelson, W7RCF (Ex-WØYDC)
1946	John F. Leeder, WØUFD
1947	Arthur R. Gaeth, WØFQB
1948	Herbert D. Curry, WØQXR
1949	Elmer N. Stein, Ex-WØAVM
1950	Dr. Leon Becker, Ex-WØBBX
1951	Earle E. Olson, WØJKE
1952	John W. Orr, WØPHW
1953	Rev. R. J. Strange, WØQHG
1954	Frank W. Cooper, W3NV (Ex-WØIOS)
1955	Arthur E. Stadler, W9KHD (Ex-WØQMD)
1956	Dick L. Eilers, WØYZV
1957	Curtis D. Hicks, KØAMM
*1958	Edward Gutmann, WØCQX
1959	David A. Hollander, W6COJ (Ex-WØCJW)
1960	Max N. McKinney, WØYVV
1961	John A. Droescher, KØKWB
1962	Royal M. Enders, KØLYO
1963	Joseph F. Berounsky, KØQDB
1964	Louis A. Cutler, WØVLI
*1965	Edmond E. Donze, WØYEV
1966	Byron J. Smith, Sr., WAØICK
1967	Ervan D. Heinz, WAØEEM
1968	Robert C. Lockwood, WAØDHU
1969	Royce E. Johnson, WAØKIL

\*Deceased

\*\*\*\*\*



## INFO RE PAST PRESIDENTS' LIST

In an effort to complete our Past Presidents' list, we found we did not have call letters for Nels Peter Nelson, our 1945 President, so we decided to try to find out. Orville Weimer, an old-time buddy from Nelson's WAAW days, told us that he was in Phoenix. A directory search indicated there was an N. Peter Nelson and lo and behold, upon calling him we found he was our first Club President. His call is now W7RCF; it used to be WØYDC.

You will note that Elmer N. Stein, 1949 President, is listed as Ex-WØAVM. It seems Elmer forgot to renew and now has to start over again, code and all.

At this writing we are still looking for the present call of Dr. Leon Becker, President in 1950, Ex-WØBBX.

We were lacking the current call of Arthur E. Stadler, President 1955, so contacted him by phone in Des Plaines, Illinois, and learned his present call is W9KHD, Ex-WØQMD. Art also told us that his two daughters Sherry and Susie are now married and that Sherry has a daughter which makes Art a grandpa.

\*\*\*\*\*

The modern American drinks Brazilian coffee from an English cup while sitting on Danish furniture after coming home from an Italian movie in a German car. Then he picks up his Japanese ballpoint pen to write a letter to his congressman demanding that something be done about all the gold that's leaving this country.

de The Ham Monitor

\*\*\*\*\*

## JEALOUS? — NO MORE . . . .

In the past I have experienced the pain of jealousy each time I was reminded of the public service that Citizens Band was providing with REACT. But no more. Very recently and all of a sudden this jealousy has been dissolved by the emergence of WCARS, which stands for West Coast Amateur Radio Service. I am sure every ham now is aware of this organization. If not, see page 40 of October CQ Magazine, which gives a complete rundown on WCARS.

It is most gratifying to realize that amateur radio is now serving the public continuously and not just during emergencies and disasters as is set up through RACES, AREC, NTS, C.D., RED CROSS, and other similar organized communications systems that use hams for operators. If you question this, listen on 7255 KC, any time any day and you will be surprised. There is not room here to explain the many details of WCARS, but it should be recommended to all hams to support and join this movement by alert and ambitious hams, that can improve our image immensely. Investigate and ask at the next meeting.

Editor — WB6ETE  
de Citrus Belt ARC

\*\*\*\*\*

## FOR SALE

VHF Equipment: Gonset Comm III matching Gonset Linear 111 and VF 6 meters — good condition. Sell as package or individually.

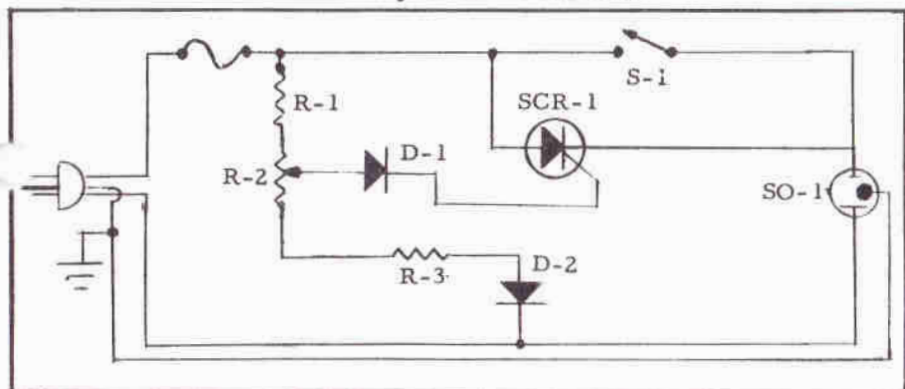
Call — Chuck Sudds, KØTVD

Phone: 553-3176

\*\*\*\*\*



## SCR Speed Control



### PARTS LIST:

- R-1 - 2,500 ohm, 5 watt resistor  
R-2 - 250 ohm, 4 watt wirewound potentiometer  
R-3 - 33 ohm, 1/2 watt resistor, (see text)  
D1 & D2 - IN1693 or equal diodes (GE part number)  
S-1 - SPST switch  
F-1 - fuse to match SCR used  
SO-1, AC receptacle  
SCR-1 - GE C15B (3 amp) or GE-C37B (8 amp) Silicon controlled rectifier (or equal).

### SILICON CONTROLLED RECTIFIER CONTROL UNIT

Have things been going too fast for you? Would you like to slow things down a bit? Then this is the project for you! This unit will effectively slow the speed of your electric drill when you are drilling plastics or similar materials. Another use is to slow down the speed of a sander for use in polishing a car or similar items. This control is for any "Universal" AC-DC type of motor (this type may be easily identified by the presence of a commutator and brushes) or for use in

cutting the voltage down in a transformer, for dimming incandescent lights, as well as a host of other uses.

The advent of parts "bargains" from electronic supply houses has brought the price of the silicon controlled rectifier down within reach of the experimenter for use in this project.

One precaution, in using the SCR is to be sure to use an adequate heat sink for these as quite a bit of heat is dissipated when operated at the lower speeds.

The value of R-3 may be altered if the minimum speed of the tool is too slow. Try values of from 22 to 68 ohms. A small 75 ohm pot. could also be used for this resistor.

- Switch S-1 bypasses control unit.

de: Bob Lange, WØILB  
de The Ham Monitor

\*\*\*\*\*

At the suggestion box, the boss said: "I wish employees would be more specific. What kind of a kite? What lake?"

de Ham Monitor  
\*\*\*\*\*

## BREVARD REPEATER GETS LICENSE

BREVARD REPEATER ASSOCIATION has been issued a Club Station Amateur Radio license WB4KNQ, a 2-Meter FM repeater station, to be placed in service atop the Cape Royal Center at 1980 North Atlantic Avenue, Cocoa Beach, FL.

President of the Association is Ed Rasmussen, W4CYE, Merritt Island, and licensee trustee and repeater manager is Hal Greenlee, W4GYO, of Merritt Island. Nine other members of the Association have been designated as trustees, each authorized to operate control points, to monitor and disable/enable the repeater station transmitter as required.

The station will receive amateur radio stations transmitting FM on 146.34 MHz and retransmit FM on 146.76 MHz. Operation will begin about 4 July 1969 utilizing General Electric Progress Line equipment comprised of an ER-25 narrow band receiver and an ET-20 transmitter

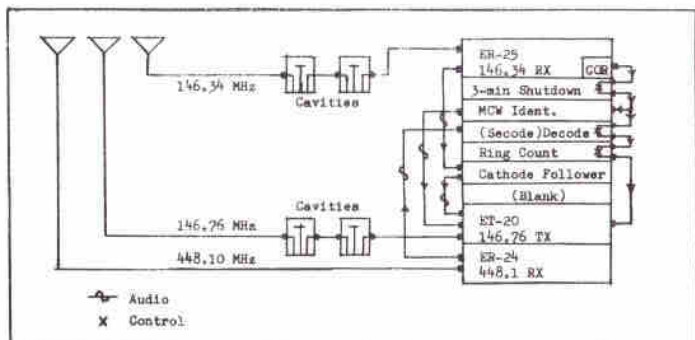
running 30 watts out to a four-element colinear array mounted at a height of approximately 150 feet.

Identification of WB4KNQ will be transmitted in MCW mode and each control point will use an encoded signal on 448.1 MHz for control purposes.

Members of the Brevard Repeater Association will enjoy extended range operation from home station sites and mobile installations, and this FM repeater station will provide a community service to Brevard County with added communications facilities for emergency use.

As the Brevard Repeater Association membership increases, the advantage of a more efficient local communications traffic system is gained. Amateur Radio Operators in Brevard County are invited to join the Association or address membership inquiries to the Secretary, John P. Smith, W4GJB, P.O. Box 82, Palm Bay, FL 32901

(Courtesy of W4CII and The Brevard Repeater Association)



de Florida Skip

\*\*\*\*\*

**OFFICIAL BULLETIN NR 249  
FROM ARRL HEADQUAR-  
TERS NEWINGTON CONN  
DECEMBER 4 1969 TO ALL  
RADIO AMATEURS BT**

FCC has issued a special Christmas call sign for the first time. WX3MAS will operate in the Christmas City, Bethlehem, Pennsylvania from December 15 through January 1, on all bands 80 through 10 meters, cw, teletype and sideband. Operation may also take place on 6 and 2 meters. Distinctive confirmations will be sent in response to your full size envelope with postage addressed to the Delaware Lehigh Amateur Radio Club, W3OK, 1719 Callone Avenue, Bethlehem, Pennsylvania 18017 AR

\*\*\*\*\*

If you are all wrapped up in yourself, you are overdressed.

de Ham Monitor

\*\*\*\*\*

**OFFICIAL BULLETIN NR 250  
FROM ARRL HEADQUAR-  
TERS NEWINGTON CONN  
DECEMBER 11 1969 TO ALL  
RADIO AMATEURS BT**

A reciprocal operating agreement has been in effect between France and the United States since July 1, 1966. This initial accord provided for metropolitan France and Corsica, but no other French territory. Word has now been received of the immediate extension of that initial agreement to cover all French possessions. Similarly, French amateurs may now operate in Puerto Rico and United States possessions. Further details will appear in February QST AR

\*\*\*\*\*

**OFFICIAL BULLETIN NR 252  
FROM ARRL HEADQUAR-  
TERS NEWINGTON CONN  
DEC 23 1969 TO ALL RADIO  
AMATEURS BT**

Word has been received from FCC that a third party traffic agreement has been made with Korea for the period December 23 through January 3 only. This will permit an exchange of holiday morale traffic between armed forces personnel and their families at home. The temporary agreement is good only for the specified period of December 23 through January 3, Korean time AR

\*\*\*\*\*

**OFFICIAL BULLETIN NR 251  
FROM ARRL HEADQUAR-  
TERS NEWINGTON CONN  
DECEMBER 18 1969 TO ALL  
RADIO AMATEURS BT**

The next ARRL Simulated Emergency Test will take place January 24 and 25, 1970. This is a serious effort designed to test local emergency plans and procedures under simulated emergency conditions. The test will include all Amateur Radio Public Service Corps amateurs, in AREC, NTS and RACES in local and nationwide exercises. You are urged to contact your local Emergency Coordinator immediately while there still remains time for you to be worked into SET plans and do your part to help justify the amateur service in terms of public interest, convenience and necessity. SET rules will appear in the January issue of QST AR

\*\*\*\*\*



December 3, 1969

Ham Hum  
Ak-Sar-Ben Radio Club, Inc.  
Omaha, Nebr.

Hi:

Compatability between Amateur Radio and the rest of the world begins at home. Recently I left the rig tuned to a net and listened as I went from room to room in the house, then outside. Asked the XYL if I usually ran the volume that high, and she said yes, sometimes thought I was going deaf.

Figuring there is no use inflicting that much noise on myself, and her too, knowing that excessive noise is fatiguing, I tried headphones. Not too bad, especially if I used the old-timers trick of putting them behind my ears, but how about something better? WØWLO used dynamic type, stereo phones at field day, placed them on the bench. Tried that, some better. Tried one of those pillow speakers, like hospitals have, not so good. Got a Lafayette Sound Reproducer, American made yet, \$7.95, and used against window glass, or large thin board, it sure would shake the house; but mounted on a small piece of wood, 1' diameter, ½" thick, place it on desk, bench, or most anyplace, and it gives a good tone for CW, fine for phone, and the volume does not carry enough to conflict with other sounds in the house, TV etc.

This takes some practice using, same with the dynamic earphones. Have to concentrate a bit more on what I am copying or learn to ignore other sounds in the house the speaker usually drowned out. But the reduction in QRN and to some extent QRM also, is worth it. When I change my habits of operating it does take

some getting used to; however, the comparative quiet makes ham radio more enjoyable.

73,  
Dayton, WØVEA  
\*\*\*\*\*

## FOR SALE

Muntz stereo, 4-track tape player with 6 tapes and 2 speakers. Chrome case - easily mounted in car. Has volume, tone, track and on-off controls. Also has separation knob to distribute sound to either speaker or both.

Fantastic \$90.00 value only \$40.00 postpaid. Send cash, check or money order to:

Jim Knudsen, WAØMHF  
704 Fir Street  
Brainerd, Minnesota 56401

(Jim you will remember as a former member of this Club.)

\*\*\*\*\*

Did you hear about the kind little old lady that called the telephone company to tell them her cord was too long, and then she asked them to pull back on the cord a bit at their end.

de Ham Monitor

\*\*\*\*\*

## FOR SALE

40 watt Class AB1 Plate Modulator - \$30.00

Heath VF-1 VFO - \$10.00

Both in excellent condition.

See or call

Joseph G. Ewing, WA3GMI/Ø  
4362 Mason St.  
Omaha, Nebr. 68105  
553-2374 after 5 P.M. &  
all day weekends

\*\*\*\*\*

## SOME AFTER-THOUGHTS ON LIGHTNING

While up at WB8BYX this past July, my home QTH was hit by lightning. Three major hits seem to have occurred: one on the pole transformer, blowing the complete assembly off the pole; (The 7.5 amp fuse was found 100 feet away on the front lawn!), one on the TV antenna and tower; and last, the Southwest pole supporting the rhombic. All antennas to the amateur equipment were disconnected and grounded with no damage to the RF sections. The XYL had been using the TR-4 to monitor my operations at BYX, and left the power cord plugged into the mains. The power supply of the TR-4 was cinderized — and a new word, but adequate. The TR-4 condensers were blown. The B Plus supply for the final amplifier was relieved of all forty diodes in the bridge supply, and the filament transformer for the 4-1000A had blown condensers on the 117 volt side. The interesting thing about this, and the lesson I wish to convey, is that all equipment with fuses contained in the power plugs (Heath monitor scope, etc.) had merely blown fuses, and suffered no damage other than that. All power cords in this QTH now bear fuse-containing plugs.

Of further interest, all base plugs in the house were damaged — some blown completely out of the plastered walls. The color TV was neither plugged in to the AC line nor connected to the antenna, yet had to be degaussed, the AGC and delay lines rebuilt. Starting relays in the deep freeze, washer, drier and refrigerator

were welded in the closed position!

I would advise all hams to ground all equipment, and unplug it when leaving it.

James W. Voorhees  
W8EGR/WB8BYX  
BARA Bulletin  
\*\*\*\*\*

## SWR

The persons who get excited about a 1.2:1 or even a 2:1 VSWR on their antenna feedlines should read what Mosley Electronics, Inc. has to say of the subject. As one of the leading manufacturers of antennas, they are in a spot to speak with authority on the subject. Let's see what they say on the matter in their booklet: "Competent professional antenna engineers generally agree that in most cases a standing wave ratio of up to 5 to 1, or somewhat higher, is satisfactory and acceptable. (This has nothing to do with equipment manufacturer cut-backs which would not permit voltage or current to exceed ratings of components used in equipment, limiting the SWR to a lower value.) Referring to the ARRL Antenna Handbook, we see that a SWR of 5 to 1 in RG 8U coax will result in a signal loss at 28 mc. of only 1 db. This decrease in signal strength cannot normally be detected on an S-meter!"

The next time you hear some know-it-all braying about the horrible effect of a 2 to 1 VSWR, just remember how to classify his knowledge of radio transmission lines!

by W5EHC  
from Florida Skip  
\*\*\*\*\*

## INFORMATION ON POWER LEAKS Cliff, K7ZRL

Those of us who have been in ham radio long learn early in our experience the awful bother of "so-called power leaks," or just plain old electrical interference. After we moved into the Beaverton area I was troubled by what I thought was typical power leaks. At times it was so loud and constant that I could not operate at all — day or night on 40 and 75. Fifteen was bad enough, but nothing like those two bands. I tried to check it at midnight and at six in the morning — and it was horrible any time; so I contacted the Portland General Electric Co. and their radio interference man came and checked it three different times at different hours of the day.

He was a bit puzzled after some four weeks and after he had checked all transformers, etc., in the neighborhood; but the interference still was as bad as ever; finally after another month, I asked him to "please try it again"; so he came to the house and sat with me for more than an hour listening to the noise. This time he brought his car with five radio receivers tuned to five different frequencies and one small TV receiver. So he toured the section this time and more than a half-mile from the house he felt he had isolated the trouble. He rang the particular doorbell and when he had explained to the woman who came to the door why he was there she virtually threw her arms around him, and explained that they had been troubled with their TV and all the neighbors were disgusted too, because no one had ever discovered what the

trouble was in that area. By pulling all switches in that house and checking each circuit, he located it — a six-volt bell transformer buried in the attic under six inches of insulation had shorted and was arcing constantly. He shut it off and drove back to the house and the trouble was gone; also the TVI in that neighborhood had stopped. He replaced the transformer — uncovered it and gave instructions to the owner what to do if the trouble started again. The section was in a \$30,000 to \$50,000 housing tract and the builder had installed his electrical circuits for the door bells in the attic prior to blowing in the insulation.

Since then there's been no "power leaks."

(from W C A R Sentinel  
Carson City, NV)  
de FEARL News  
\*\*\*\*\*

## FCC OPINION Sent in by Nick, K6QPE

I just received a letter from Mr. Ney Landry who is with the FCC. It could be printed for the purpose of informing the net members, but especially those who take net control and are asked to make calls to commercial stores.

Dear Mr. Hauck:

In response to your letter of April 10, 1969 we would like to bring the following information to your attention. Three sections of the Amateur Rules are concerned with this area of amateur operation:

- (1) Section 97.3(f) Amateur radio communication. Radio communication between amateur stations solely for a



personal aim and without pecuniary interest.

- (2) Section 97.77 Practice to be observed by all licensees. In all respects not specifically covered by these regulations each amateur station shall be operated in accordance with good engineering and good amateur practice.
- (3) Section 97.111 No remuneration for use of station. An amateur station shall not be used to transmit or receive messages for hire, nor for communication for material compensation, direct or indirect, paid or promised.

Any licensee of an amateur station is considered to be in violation of Section 97.77 if he uses or allows another to use his station for transmission of communications which are not amateur radio communications according to the definition of Section 97.3.

It is permissible for amateurs who are *not* engaged in the business of handling radio equipment to conduct swap-shop operations on the air. This would include exchanging comments on what radio equipment such amateurs have to swap or sell and the price requested. Please note that these are communications between amateurs not in the business of selling equipment. If communications are relayed to or for someone in the business of selling equipment, it would appear to be in violation of the amateur rules.

Finally it is up to each individual amateur operator to operate his own station within the rules and regulations of the Commission. Relaying traffic

that is not permissible under the rules, would not relieve the operator of his own responsibilities.

Very truly yours,  
Ney R. Landry  
Engineer in Charge  
(from: "W C A R Sentinel",  
Carson City, NV)  
\*\*\*\*\*

Wife: "Last night I dreamed you gave me a hundred dollars for summer clothes. You wouldn't spoil that dream, would you?"

Husband: "Of course not, dear, you may keep the hundred dollars."

de Ham Monitor  
\*\*\*\*\*

## NEON TESTER LAMP

To avoid dropping your neon tester lamp on the concrete floor of your shop and shattering it (who hasn't?) or getting a nasty RF burn from the tank coil, simply mount the bulb in either end of a plastic pill bottle! You probably have a dozen or so lying around the house or they can be had in a variety of sizes for a few cents at the neighborhood drug store. DR finds the one 2x2-38" about right for the NE-30 lamp: smaller diameter can be used for the little NE-2's; suit yourself. Just drill a suitable hole in the bottom or cap of the bottle to let the base of the bulb fit snugly; a little assist from a drop or two of Elmer's or epoxy will firm it up if necessary. You will find this a convenient handle as well as safety housing.

RANDOM RADIATION  
(from: "SARA SLIP"  
Eldorado, IL)  
\*\*\*\*\*

# Great NEW Values from World Radio!

Write for Free 1970 Catalog—



## WIRED—Ready for Operation

Designed for the Amateur whose interest is 80 and 40 meter SSB. Here's power and performance at a very reasonable cost! Power to make good contacts...a selective Receiver, Stability and compactness! (5"x11¼"x10"). Weight 11 pounds. Smaller by far than anything in its power class. Beautifully finished...a Fantastic performer! Available in both Fixed Station and Mobile Packages (not shown).

## THE BEAUTIFUL NEW Duo Bander "II" TRANSCEIVER

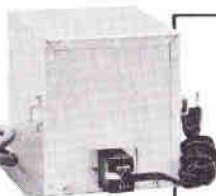
ORDER #66MA059 **\$169<sup>95</sup>**

Use your BankAmericard  
or Master Charge

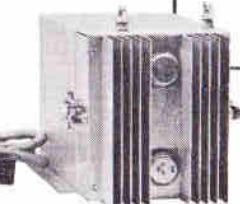
LOOK AT THESE FEATURES: Up to 400 watts • PEP/SSB • 2 Kc Calibration • Solid State VFO • Covers LSB on 3.8-4 and 7.1-7.3 MHz • Sharp 2.7 kHz Crystal Filter • New, husky 6LB6 tubes in the final to a Pi-network • "S" and RFO Metering • E-Z one knob tuning.

\*With individual Deluxe WRL Supplies.

AS A  
HOME  
SUPPLY



AS A  
MOBILE  
SUPPLY



BRAND NEW FROM WRL!

THE

## "Duo Power 300" DUAL POWER SUPPLY

Change in an instant  
from Mobile to Home!

Rated for operation  
at 300 Watts PEP  
with all Duo-Bander  
models—fixed or  
mobile.

ORDER #66MA003  
**\$149<sup>95</sup>**

Only \$8 monthly

The all-new "Duo-Power 300" Supply is ideal for the man using the rig as Fixed-Mobile-Portable at the least cost. Use as a complete 12VDC mobile supply or unsnap the transistor module end and use it for a 115VAC home supply. Approx. 5½" x 6½" x 9½" (HWD). Weight 18.5 lbs.

Buy 'em together—SAVE \$20! (Order Package ZZM189)

You get the DUO-BANDER II and DUO-POWER 300 Both for \$299.90!

Write for  
Catalog on  
other  
Packages  
Available  
Dept. HH-1a



# WORLD RADIO

3415 West Broadway • Council Bluffs, Iowa 51501

"SERVING THE AMATEUR FOR OVER 33 YEARS"

Omaha, Nebraska  
January 6, 1970

TO ALL MEMBERS OF THE  
AK-SAR-BEN RADIO CLUB, INC.

The regular Friday meeting of the Ak-Sar-Ben Radio Club, Inc., scheduled for January 9, 1970, WILL NOT be held at the Red Cross Chapter House. Instead, a tour through the SAC Underground has been arranged, but they have specified a limit of 40 persons, 16 years of age and over.

Those making the tour are to assemble at the SAC MAIN GATE - 6:00 P.M.  
SHARP - Friday, January 9th.

We are required to furnish SAC a list of names of those making the tour by the 7th of January. In order to arrive at the list of 40, we attempted to phone all Club members to determine whether or not you were interested in making the tour. We were unable to reach all of you as some did not answer. Needless to say, we arrived at a list of more than the 40 permitted. One was eliminated because unfortunately he is under the age of 16; two were eliminated because they could not walk up the ramps due to health reasons; and we still have a total of 44.

Rather than draw names to determine the unlucky ones, fortunately we found 4 people who agreed not to go as they had taken the Underground tour before. Our list of 40 is now complete. We are sorry all Club members cannot be included. Perhaps another tour can be arranged at a later date for those who missed this one.

Please refer to the indication at the bottom of this letter to determine whether or not you have a reservation to make the tour.

The tour will be over at approximately 7:30 P.M. From SAC you are to proceed to Marchio's Italian Cafe, 4443 South 13th Street, Omaha, where a room has been reserved and dinner will be served. The menu: a small steak, spaghetti, salad, french fried potatoes, bread, butter, coffee or tea. Your cost: \$3.84 which includes tax and gratuity.

Please also refer to the indication at the bottom of this letter to determine whether or not a dinner reservation has been made for you.

If for any reason you need to cancel either your reservation for the SAC tour or your dinner reservation, please notify me just as soon as possible by phone: home, 391-2255; office, 342-1402.

AK-SAR-BEN RADIO CLUB, INC.

Dick L. Eilers, WWTZV  
Program Chairman

- You ARE registered for the SAC tour.
- You ARE NOT registered for the SAC tour.
- Dinner reservation HAS been made for you.
- Dinner reservation HAS NOT been made for you.