

FLEA-ESTA

AARC Flea Market

8:00 AM to 1:00 PM, September 8, 2012

Sarpy County Fairgrounds, Springfield, Nebraska

For details, contact Pat Joseph KØCTU, email: flea@aksarbenarc.org

Or see the link at the AARC web site, <http://www.aksarbenarc.org/>

Saturday Night Coffee

AARC members met for coffee and food at Perkins Restaurant on 108th & L Streets in Omaha at 6:00 PM, March 17th. Attending were Pat KØCTU, Claudia K1AUD, Dick KBØKJV, Bill KCØSVZ, Dawn KDØKFW, Brian KDØKFY, and Mary NØTRK.

While eating good food expertly served by our attentive and friendly waitress, Amber, we discussed a wide range of subjects: SMT kit building, satellite contacts on Field Day, sideband characteristics of hybrid digital radio, dot-matrix printers, D-Star radio, dog training, place name pronunciation, Linux operating systems, ham radio in science fiction movies (*Frequency*), rooftop antenna installation, and many other topics.

The Club informally meets for coffee on the third Saturday of the month. See the *Club Calendar* in this issue for details.

Bill KCØSVZ

GREAT PLAINS SUPER LAUNCH

The twelfth annual Great Plains Super Launch will be held in Omaha, Nebraska on June 7-10, 2012. The GPSL is an annual gathering of Amateur Radio High Altitude Ballooning enthusiasts from around the country to a site in the central US where they participate in technical presentations and a group launch.

Below is the schedule of events. Please check the website below for latest updates:

June 7 (Thursday): Early arrivals' events at the Strategic Air and Space Museum in Ashland.

June 8 (Friday): Presentations and conference dinner at Arbor Hall (144th & Center in Omaha).

June 9 (Saturday): Launch day. Primary launch site is the Strategic Air and Space Museum parking lot, but subject to change due to wind forecasts. Final launch site selection will occur on Friday afternoon.

June 10 (Sunday): Backup launch day if Saturday's weather is bad.

The GPSL events are open to all interested individuals. For more information, see <http://superlaunch.org> and <http://nstar.org/gpsl2012>. If you have questions, plan to attend, or would like to help, please contact Mark Conner at n9xtn@ar1.net or by phone at (402) 201-4422.

AK-SAR-BEN Amateur Radio Club, Inc.

Ham Hum

Volume LXII, Issue 4

April 2012

The Kilo-Cycle



Also referred to as the Kill-O-Cycle, Pedal Power, the Power of the Pedal, Electricity by the Foot, and (as one wag put it) the Electric Chair. Whatever you want to call it, the March meeting was about a bicycle-powered generator designed and built by Pat KCØTU.

Pat had been researching and working on a bike generator since before the previous Field Day (and had brought his to that event for a brief time). He'd found that commercial versions, such as Fender Blender and Firefly would

sometimes cost as high as \$1000; so he took the DIY approach and built his own.

This he did by using a Dayton 4Z143B permanent magnet motor as a generator, a West Mountain Radio PWRcheck A/D converter to his PC, a Blackburn bike trainer stand, various other components (LEDs, batteries, flywheel, etc) and the creative application of a drill, soldering iron, and other tools. Bicycles he already had (NØTRK's was used for the presentation), so overall cost was in the \$300-\$400 range.

The front wheel of the bike was held in place by the trainer, while the rear wheel rotated the shaft of the motor/generator. The flywheel helped regulate speed for a constant output. The generator fed a regulator circuit Pat built and powered a dummy load consisting of three 100-watt incandescent bulbs wired in parallel. The PWRcheck A/D converter would monitor the output and send the results to Pat's laptop which displayed the waveforms and other readings onto a large monitor.

(Kilo-Cycle continued on page 8.)

April Meeting: GPSL

Scheduled is Mark Conner, N9XTN, who will discuss the Great Plains Super Launch taking place at the Strategic Air and Space Museum this June. (See page 12 for details.)
Friday, April 13, 7:00 PM, Red Cross Building, 81st & Spring Streets, Omaha, NE.

HAM HUM is the official newsletter of the AK-SAR-BEN Amateur Radio Club, Inc. in Omaha, Nebraska. It is printed monthly and is distributed to members of the club, local disaster officials, local electronics outlets, and editors of other ham radio newsletters.

Articles about activities of members are solicited. The subject matter must be of general interest to radio amateurs and be understandable to a significant portion of the membership. No payment will be made to contributors and submissions will be subject to the usual editorial review. Articles containing statements that could be construed as libel or slander will not be accepted. No guarantee can be made that an accepted article will be published by a certain date. Send your contributions to Ham Hum, P.O. Box 24551, Omaha, NE 68124-0551 or email hamhum@aksarbenarc.org. Please contact the editor for permission to reprint anything appearing in the Ham Hum.

Club Officers & Board Members

President	Mary Joseph	NØTRK	402-492-9156	n0trk@arrl.net
Vice President	Scott Avery	KA4ZZQ	402-880-9246	scott@averysgk.com
2011-2012 Secretary	Bill True	WA9ASD	402-426-2813	williamtrue@aol.com
2011-2012 Treasurer	Marvin Taylor	AEØEG	402-556-3668	AE0EG@arrl.net
2012 Director	Adam Kavan	KDØMMG	402-598-1521	akavan@gmail.com
2012 Director	Dave Rice	NØJSB	402-571-8915	davegr@netzero.net
Immediate Past President	John Gebuhr	WBØCMC	402-932-3443	wb0cmc@cox.net

Club Committees

Courtesy Committee	Bill McCollum	KEØXQ		
Education	Mary Joseph	NØTRK	402-492-9156	n0trk@arrl.net
Field Day	Rob Buchholz	KCØOYT	402-964-9960	kc0oyt@arrl.net
Membership	Mary Joseph	NØTRK	402-492-9156	n0trk@arrl.net
Monday Night .94 Net	Rich Swig	WAØZQG	712-256-7774	wa0zqg@yahoo.com
Prizes	Rollie Miller	ABØNN	402-333-1606	ab0nn@arrl.net
Public Service/Emergency	Jim Harper	KCØSHZ	402-659-0102	kc0shz@yahoo.com
Publications	Bill Wilkinson	KCØSVZ	402-397-8803	kc0svz@yahoo.com
QSL Manager & Technical	Ed Edwards	KØIL		k0il@arrl.net
Special Events Coordinator	Pat Joseph	KØCTU	402-492-9156	ppjoseph@cox.net
Web Services	Mary Joseph	NØTRK	402-492-9156	n0trk@arrl.net

Repeater Committee

Chairman	John Gebuhr	WBØCMC	402-932-3443	wb0cmc@cox.net
Vice Chairman	Steve Schmitz	NØUP	402-306-2972	n0up@arrl.net
Control Operator	Mary Joseph	NØTRK	402-492-9156	n0trk@arrl.net
Club Callsign Trustee	Corby Krick	KØSKW	402-540-5483	k0skw@k0skw.net

Other Contacts

ARRL Midwest Director	Clifford Ahrens	KØCA	573-221-8618	k0ca@arrl.org
ARRL Midwest Vice-Director	Rod Blocksome	KØDAS		
EC Douglas County	Steve Schmitz	NØUP	402-306-2972	n0up@arrl.net
EC Sary County	Dennis Mitchell	KCØYKN		
Exams/Vol. Council	Brian Zdan	KMØY	402-553-2610	bzdan@novia.net
NE Section Manager	Art Zygielbaum	KØAIZ	402-421-0839	K0AIZ@arrl.org
Official Observer Coordinator	Bill McCollum	KEØXQ		

Address Change?

If you've changed your mailing address, or would prefer to receive the Ham Hum via email, please contact Mary NØTRK (Membership) or Bill KCØSVZ (Publications) with your new information.

AARC on the Web

Club Web Site: <http://www.aksarbenarc.org/>

Facebook: <https://www.facebook.com/aksarbenarc>

Yahoo! Groups: <http://groups.yahoo.com/group/AKSARBENtalk/>

Free Circuit Design Tools for Ham Radio

By Dan Romanchik, KB6NU

About a week ago, I started looking for a schematic capture program so that I could easily generate some simple schematics for my upcoming Extra Class study guide. Since I use a Mac as my main computer, I first asked on the Ham-Mac mailing list if anyone knew of a good one. I got several recommendations, including:

- Diptrace (<http://www.diptrace.com/>),
- Eagle (<http://www.cadsoftusa.com/downloads/freeware/?language=en>), and
- McCad (<http://mccad.com/>)

Eagle looked like a good choice, although several people mentioned that the user interface "left much to be desired."

Then, I remembered that I had OmniGraffle, which is a general-purpose diagramming tool. Googling around, I found several sets of electronic symbol libraries that could be used with OmniGraffle. I installed them, and generated a couple of figures for the study guide section that discusses T-network and pi-network filters. It was a reasonably good solution to my problem.

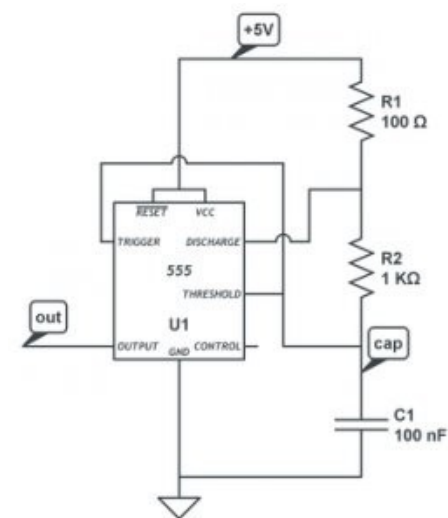
A Web Solution

A couple of days ago, though, someone on the local Maker mailing list, pointed me towards CircuitLab (<https://www.circuitlab.com/>), an online schematic capture tool and circuit simulator. I haven't tried the circuit simulation yet, but the schematic capture tool is really easy to use. It's much easier to use for drawing circuit diagrams than OmniGraffle.

Another benefit is that it doesn't matter what computer you're using. Because it runs in a Web browser, it doesn't matter whether that browser is running on a Mac or a PC or even a Linux box.

If you set up an account, you can save circuits to your "workbench." To get you started, there are some sample circuits, such as the 555 timer circuit shown in the above Figure. There's also some decent documentation and a forum where you can discuss circuits and get some help.

Finally, the price is right, too. It looks like using CircuitLab is completely free. I couldn't find any pages that required payment.



Example 555 Timer Circuit

When not searching the Web for circuit design tools, you'll find KB6NU working 30m CW and twittering away about his contacts. His Twitter id is @kb6nu. He would love for you to follow him there. If you don't tweet, you can still read his blog at www.kb6nu.com.

MS Walk

This year's MS Walk starts at 9:30 AM on Saturday, April 14th. The Club will be helping with communications assistance again this year. The route will begin at the Century Link Center just south of 10th and Cuming Streets and runs west as far as 24th Street and then back to the Century Link Center.

If you can help us at the event, reply to this, or e-mail me at k0ctu@cox.net.

Thanks.

Pat KØCTU

Subterranean Dipole Net News

Dateline April 2012—News flashes from the Subterranean Dipole Net, ILF Band (Insanely Low Frequency):

Johnson Power Supply Recall: The FTC and Homeland Security have ordered that all Johnson Power Supplies be recalled due to their propensity to appear in failed terrorist devices. Many Civil Rights groups are fearful for the safety of well-known terrorist organizations due to possible age-degradation defects in the units. All owners are to return their Johnson Power Supplies to the vendor from which they were purchased. No receipt is necessary.

Cookbooks Recalled: The 1994 Commemorative AARC Cookbook, *To Serve Ham*, has been also placed on the recall list. The FDA and SEC have deemed that vital updates be made to the contents of a couple of the recipes to reflect the current climate, and to prevent mental anguish if the recipes are attempted and achieve less-than-expected results. On page 75, "Millionaire's Delight" is to be renamed to "Billionaire's Delight," while on page 83, "Grandma Bars" are now to be called "Great-Grandma Bars." Compliance is not optional. See chapter 13 of the 2012 *Advanced License Manual* for resolution procedures.

Data Shortage: 2013 is shaping up to be a banner year for hard disk production, with Japan recovering from the big earthquake. Unfortunately, Sociologists and Scientists have discovered that the world will run out of data by 12/2012, if the projected processing power continues at its current rate. Sigmund Seek, professor at MIT, broke the news at the Disk Compression Symposium held in the campus cafeteria basement last Sunday. Penelope Poke, Piping Engineer at JPL, scoffed at the notion, pointing out that it's just another ploy by the other members of Seek's think-tank (Hoke Yee, Nancy Shall, and Benjamin Find) to sneak into Wallstreet by artificially driving down the Data Futures Market. We'll certainly be keeping a conCERNed ION this one. Stay tuned.

de Scott KA4ZZQ

You may be a ham radio operator if...you look at anything made of wire or metal tubing and wonder if it could be used as an antenna.



Veep Speaks

[Veepspeak]

April? You've GOT to be kidding me!! Oh \$!@#\$. Taxes!!! Didn't I do those infernal things just last year??

Hey, many thanks to Pat, KØCTU and the Kilo-Cycle program in March. Thanks Pat!!

For April's program (*really*), we should be having Mark Conner, N9XTN, and a discussion about the upcoming Great Plains Super Launch (GPSL), hosted by Nebraska Stratospheric Amateur Radio (NSTAR).

Hope to see everybody there!!

73 -ZZQ
[/veepspeak]

Club Meeting Minutes – March 9, 2012

Bill WA9ASD, Secretary AARC

The meeting was called to order at 7:03 PM by saying the Pledge of Allegiance. There were 31 attendees. Introductions by name and call.

Officers and Board members present included: Mary, NØTRK; Marv, AEØEG; Bill, WA9ASD; Adam, KDØMMG and Dave, NØJSB.

Secretary's Report - A motion was made by Don, WBØHGC, seconded by Pat, KØCTU, to accept the February Club meeting minutes as published in the *Ham Hum*. There were no corrections required and the motion passed unanimously.

Treasurer's Report - There was income of \$592 and expenses of \$208 during the prior month bringing the balance in all of the accounts to \$22,999.23.

President's Report - Mary, NØTRK - Cookbooks from the 1994 convention are available for \$5 each.

- The Budget Committee has met and developed a budget for the club for 2012.
- The Board has approved the budget presented and there will be some capital expenditures in the year. Items include \$350 for the Equipment Committee to purchase label equipment to mark club equipment, \$500 for the Trailer Committee to modify the new equipment trailer, \$200 to refurbish the old club antenna trailer and \$250 for the Membership Committee to purchase two 2 meter HTs with batteries and mag-mount antennas for loan to newly licensed hams who are members of the club. These items total \$1,300 and copies of the regular and capital budgets are available for review.
- Marv noted that although the club budgeted \$60 for the club Post Office Box the bill came in and is for \$76.

Vice President's Report - The program for tonight's meeting will be "The Kill-O-Cycle" or "Pedal Power" or "The Power of The Pedal" or "Electricity By The Foot" presented by Pat, KØCTU.

(Meeting Minutes continued on page 4.)

(Meeting Minutes continued from page 3.)

Public Service – ARES/SATERN/Community Events

ARES - Steve, NØUP - On Sunday, March 11 at 9 PM there will be the regular ARES net on .94.

- On March 21 at 7 PM there will be Spotter Training at the Boys Town Music Hall.
- On Saturday, March 24 from 8 AM to 5 PM there will be the annual Douglas County Siren Test
- Also on that Saturday there will be Spotter Training in Lancaster County. Contact The Lincoln Amateur Radio Club for details.
- On Thursday, March 29 at 7 PM there will be Spotter Training
- On April 18 at 6 PM there will be Skywarn Net Training at the Douglas County EOC.

SATERN - no report

COMMUNITY EVENTS - Pat, KØCTU - On April 28 at The Westroads, the Douglas County Safety Fair will be held. The Club will be present to help program weather radios and to operate in the Nebraska QSO Party that weekend.

- The MS Walk will be on Saturday morning April 14th. It is a fairly short event and shouldn't take too long. Please contact Pat to sign up.
- The NSAA State Track Meet will be Friday and Saturday, May 18 and 19. Volunteers need to contact Pat, KØCTU.
- The Bab-Cook race is the same weekend as Field Day and we will not be participating in that race.

Education Committee - Mary, NØTRK - We are working on finding a date for another class.

Membership Committee - Mary, NØTRK

Club membership applications for the following hams have been received:

Ron Semerena, KAØT
Sean Edwards, KDØQQZ
Patrick Blewett, KJ4YRL
Glen Fischer, KAØHGH
Charles Argo, Jr., KDØQQY

There was a motion by John, WBØCMC, seconded by Steve, NØUP to accept these new members to the Club. Passed unanimously.

Publications/Web Services

- *Ham Hum* - Bill, KCØSVZ - It's out.
- Web Services - Mary, NØTRK - Still looking for active assistance with the club web site.

Repeater Committee - Heard it working.

Field Day Committee - KCØOYT is our Field Day chairman. The tentative plan is to hold it at Standing Bear Lake with other options in mind.

(Meeting Minutes continued on page 5.)

Contest Calendar

April 2012

NAQCC Straight Key/Bug Sprint	0030Z-0230Z, Apr 11
CWops Mini-CWT Test	1300Z-1400Z, 1900Z-2000Z, Apr 11 & 0300Z-0400Z, Apr 12
NAQCC-EU Monthly Sprint	1800Z-2000Z, Apr 11
RSGB 80m Club Championship, SSB	1900Z-2030Z, Apr 11
NCCC Sprint Ladder	0230Z-0300Z, Apr 13
Montana QSO Party	0000Z, Apr 14 to 2400Z, Apr 15
JIDX CW Contest	0700Z, Apr 14 to 1300Z, Apr 15
New Mexico QSO Party	1400Z, Apr 14 to 0200Z, Apr 15
EU Spring Sprint, CW	1600Z-1959Z, Apr 14
Georgia QSO Party	1800Z, Apr 14 to 0359Z, Apr 15 & 1400Z-2359Z, Apr 15
QCWA Spring QSO Party	1800Z, Apr 14 to 1800Z, Apr 15
Yuri Gagarin International DX Contest	2100Z, Apr 14 to 2100Z, Apr 15
International Vintage Contest HF	0700Z-1000Z, 1300Z-1600Z, Apr 15
Hungarian Straight Key Contest	1500Z-1700Z, Apr 15
ARRL Rookie Roundup, SSB	1800Z-2359Z, Apr 15
222 MHz Spring Sprint	1900 local - 2300 local, Apr 17
RSGB 80m Club Championship, Data	1900Z-2030Z, Apr 19
Holyland DX Contest	0000Z-2359Z, Apr 21
TARA Skirmish Digital Prefix Contest	0000Z-2400Z, Apr 21
ES Open HF Championship	0500Z-0859Z, Apr 21
CQ Manchester Mineira DX Contest	1200Z, Apr 21 to 2359Z, Apr 22
Michigan QSO Party	1600Z, Apr 21 to 0400Z, Apr 22
EU Spring Sprint, SSB	1600Z-1959Z, Apr 21
South Dakota QSO Party	1700Z, Apr 21 to 1700Z, Apr 22
Ontario QSO Party	1800Z, Apr 21 to 1800Z, Apr 22
Feld Hell Sprint	2000Z-2200Z, Apr 21
YU DX Contest	2100Z, Apr 21 to 1700Z, Apr 22
CWops Mini-CWT Test	1300Z-1400Z, 1900Z-2000Z, Apr 25 & 0300Z-0400Z, Apr 26
432 MHz Spring Sprint	1900 local - 2300 local, Apr 25
NCCC Sprint Ladder	0230Z-0300Z, Apr 27
10-10 Int. Spring Contest, Digital	0001Z, Apr 28 to 2359Z, Apr 29
Nebraska QSO Party	1100Z, Apr 28 to 1700Z, Apr 29
SP DX RTTY Contest	1200Z, Apr 28 to 1200Z, Apr 29
Helvetia Contest	1300Z, Apr 28 to 1259Z, Apr 29
QRP to the Field	1500Z, Apr 28 to 0300Z, Apr 29
Florida QSO Party	1600Z, Apr 28 to 0159Z, Apr 29 & 1200Z-2159Z, Apr 29
BARTG Sprint 75	1700Z-2100Z, Apr 29

May 2012

AGCW QRP/QRP Party	1300Z-1900Z, May 1
NCCC Sprint Ladder	0230Z-0300Z, May 4
Araucaria VHF Contest	0000Z, May 5 to 1600Z, May 6
10-10 Int. Spring Contest, CW	0001Z, May 5 to 2359Z, May 6
Microwave Spring Sprint	0600-1300 local, May 5
ARI International DX Contest	1200Z, May 5 to 1159Z, May 6
7th Call Area QSO Party	1300Z, May 5 to 0700Z, May 6
Indiana QSO Party	1600Z, May 5 to 0400Z, May 6
New England QSO Party	2000Z, May 5 to 0500Z, May 6 & 1300Z-2400Z, May 6
RSGB 80m Club Championship, SSB	1900Z-2030Z, May 7
ARS Spartan Sprint	0100Z-0300Z, May 8
CWops Mini-CWT Test	1300Z-1400Z, 1900Z-2000Z, May 9 & 0300Z-0400Z, May 10

For details, check: <http://www.hornucopia.com/contestcal/index.html>

(Kilo-Cycle continued from page 1.)

The amount of power that can be generated depends on how fast the person on the bike pedals. Pat asked for volunteers to do that bit of work while he operated the computer. The plan was for people to power various loads: one to three light bulbs, a string of LEDs, and a 440 MHz high-power mobile rig. Note that when used as a generator, the motor can put out as much as 140 watts if the rider can pedal hard enough.

First to volunteer was Marvin AEØEG (shown on the bike on page 1). Pat started him with a single 100-watt bulb and gradually added the other two. Increasing the load, of course, makes it harder to pedal the bicycle. Even so, Marvin managed to generate only 0.02 kW. Next was Robert Rosenquist (currently studying for his ham ticket), who went to 15,000 mW. The third volunteer, Stephanie KDØQVC, pedaled while Pat transmitted and Don WBØVGB monitored. She maintained a steady 4,000 mW—or perhaps 0.04 kW—it was unclear to your reporter what setting the transmitter was on. In any case, the power had to remain within a limited range, or the transmitter would shut down.

In all, it was educational and entertaining meeting. So much so, that after adjournment, many of the members attended a post meeting meeting at Perkins on 108th & L to continue the discussion.

Bill KCØSVZ

March Door Prizes

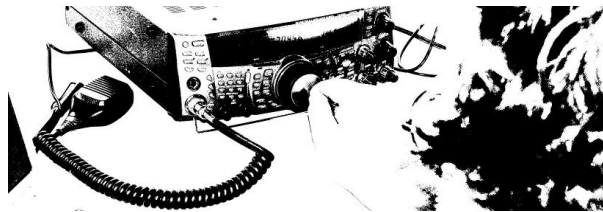
The door prizes for the March meeting consisted of a 250 watt halogen portable work light, a 50 foot medium-duty extension cord, a Craftsman 13" tote bag, the Mr. Reeh Door Prize, and the Brown Bag Prize. Door Prize Chair Rollie, ABØNN, drew the tickets and

announced the winners.

Adam KDØMMG's day was brightened when Rollie awarded him the work light. Dave NØJSB won the extension cord and Mitch WBØGBI walked off with the tote bag. Marvin AEØEG discovered that the Mr. Reeh Door Prize was an Antenalyzer Model II antenna tuner. Wrapping things up, the Brown Bag Prize went to Mary NØTRK, who unwrapped the package to find a seven-function digital multimeter inside.

Note that the proceeds for each month's tickets go for buying next month's prizes. Each month's tickets are kept and included in the Grand Prize(s) drawing in December. The more tickets you buy each month, the better your chances of winning at the end of the year. See the Club Meeting Minutes for more information.

Bill KCØSVZ



(Meeting Minutes continued from page 4.)

QSL Committee/Technical Committee - no report

Courtesy Committee - We need a new volunteer for this position for this year.

Trailer Committee - The committee has met and has a plan to prepare the new Club trailer for installation of equipment storage fixtures.

Equipment Committee - The Equipment Committee, consisting of Corby, KØSKW; Steve, NØUP; Bill, WA9ASD; Mary, NØTRK and Pat, KØCTU and have a plan for inventorying the club-owned items. If you have any club equipment please contact one of the committee members.

Public Awareness - The Club will participate in the Douglas County Safety Fair at The Westroads on April 28th. Club members will be available to help people program weather radios with the alert level and county codes.

- That weekend is also the Nebraska State QSO party, so we will be operating in the parking lot on HF with our banner.
- The people organizing OSFEST want us to participate in their convention in July although they have new leadership and we have not had any contact with them yet.
- The club is reaching out to the Boy Scouts to participate in the Jamboree-On-The-Air in October.

Flea Market -The date is September 8 at the Sarpy County Fairgrounds.

Old Business - none

New Business - none

Announcements - On March 27 there will be a VE testing session at the Red Cross at 6:30 PM.

- John, WBØCMC reported that the D-Star repeater is up and running on 145.175 and 442.125. It is linked to Lincoln and Grand Island. Eventually it will be linked to Hastings also.
- The twelfth annual Great Plains Super Launch (GPSL), hosted by Nebraska Stratospheric Amateur Radio (NSTAR), will be held in Omaha, Nebraska on June 7-10, 2012. The GPSL is an annual gathering of Amateur Radio High Altitude Ballooning enthusiasts from around the country to a site in the central US where they participate in technical presentations and a group launch. The programs and meetings will be held at the Strategic Air Command Air and Space Museum. On the 7th and 8th there will be meetings and conferences. Saturday the 9th is the date they plan to launch their balloons. The backup launch date is Sunday, the 10th. About 75 amateurs and other interested individuals are expected to attend, with 7 to 10 balloons launched on Saturday morning. The club has offered the .94 repeater as an on-the-air meeting place.
- Membership cards are pending.

(Meeting Minutes continued on page 6.)

(Meeting Minutes continued from page 5.)

Announcements - (continued)

- Circuit Labs is now on our web site.
- There was a Maker group meeting last week. Go to omahamakergroup.org for details.

Door Prize Committee - Rollie, ABØNN - Tonight's door prizes are a tote bag, an extension cord and an ac powered trouble light. In addition there is a Brown Bag Door Prize and The Mr. Reeh Door Prize, with the theme of "What Is It?" or "Who Would Want It?" This prize is from the extensive collection of ham artifacts amassed by the world famous DXer Anton Reeh, UNIQUE from Kazakhstan.

At 7:35 PM a motion was made by John, WBØCMC, seconded by Steve, NØUP to end the meeting. Passed by unanimous vote.

Bill WA9ASD, Secretary AARC

Want Ads

For Sale Kantronics "The Interface" (used). Vintage RTTY-CW-µP Terminal Unit. No cables, or software. SN is 20679. Item is in good physical condition, but it is untested. Price: \$5. Contact Mary NØTRK. Email: n0trk@cox.net

For Sale SkyWarn Signs (used). I have a pair of magnetic SkyWarn signs. Price \$10.00. If interested, send me an email. Contact: Bill KEØXQ. Email: ke0xq@cox.net

For Sale G5RV Antenna Has never been installed permanently. It was used one time for Jamboree On The Air several years ago. It has been stored wrapped carefully and secured with zip ties. Price: \$25. Contact Mary NØTRK. Email: n0trk@cox.net

For Sale Yaesu FT-757GX 160-10 all-mode, 100-watt transceiver with FC-757AT automatic antenna tuner. Includes MH-1 hand mic and MD-1 desk mic. Also Astron RS-20A power supply. Full output on all bands. Includes required cables and manuals. from the estate of WØJFO \$650 or best offer. Contact Bill True WA9ASD (402) 426-2813 evenings.

Book Wanted (buy or borrow) Biography of Leo Meyerson (S.K.) *In Tune With Leo*, by Leo Meyerson, WØGFQ, and Jim Musgrove, K5BZH. Contact Dennis Condron, KØLGI. Email: de.k0lgi@gmail.com

Silent Key – Robert Balters NØUCK

The Ak-Sar-Ben Amateur Radio Club is saddened to report the passing of long time AARC member NØUCK, Bob Balters. Bob attended the Novice class in 1992 on his quest to obtain his amateur radio license. He was a regular at Club meetings and Do-Nets until his health prevented his attendance. He will be missed.

Club Calendar

Apr 10	7:30 PM Lincoln Amateur Radio Club Meeting. 4647 Superior St, Lincoln, NE.
Apr 13	7:00 PM AARC Meeting. Red Cross Building, 81 st and Spring St, Omaha, NE.
Apr 14	9:30 AM MS Walk. Century Link Center. Contact Pat KØCTU to sign up.
Apr 18	6:30 PM Skywarn net training, EOC City County building, Omaha.
Apr 19	7:30 PM Bellevue ARC Meeting. 1908 Franklin St, Bellevue, NE.
Apr 22	2:05 PM Denison Fox Hunt, Yellow Smoke Park, Denison, IA.
Apr 24	6:30 PM AARC Board Meeting. Village Inn, 7837 Dodge, Omaha, NE.
Apr 25	Skywarn Net Training. Time and place to be determined.
Apr 26	7:30 PM Southwest Iowa ARC Meeting. 705 N 16 th , Council Bluffs, IA.
Apr 27	7:30 PM PARC Meeting. 1900 E. Military Ave, Fremont, NE.
Apr 28	Douglas County Safety Fair. Westroads, Omaha.
May 8	7:30 PM Lincoln Amateur Radio Club Meeting. 4647 Superior St, Lincoln, NE.
May 11	7:00 PM AARC Meeting. Red Cross Building, 81 st and Spring St, Omaha, NE.
May 18-19	State Track Meet.
Jun 7-10	Great Plains Super Launch. Omaha and Strategic Air & Space Museum, Ashland.
Jun 23-24	Field Day.
Sep 8	8:00 AM AARC Flea-esta. Sarpy County Fairgrounds, Springfield, NE.

For more details and the latest updates, see the *Upcoming Events* section of the AARC web site (<http://www.aksarbenarc.org/main/>).

Area Nets

Monday

- 7:00 PM 145.290 South-West Iowa ARES Glenwood, IA.
- 7:30 PM 145.130 Boyer Valley ARC Missouri Valley, IA.
- 8:00 PM 146.940 AARC Social Net. Ak-Sar-Ben ARC Omaha, NE.

Tuesday

- 7:00 PM 147.360 QCWA Hams who have been hams for at least 25 years.
- 8:00 PM 50.200 6-Meter SSB Net.
- 9:00 PM 145.310 Washington County ARES Washington county, NE.

Wednesday

- 7:00 PM 146.670 Dodge County ARES Dodge county, NE.
- 8:00 PM 145.310 Saunders County ARES Saunders county, NE.
- 9:00 PM 146.820 Pottawattamie County ARES Council Bluffs, IA.

Thursday

- 8:00 PM 144.250 2-Meter SSB Net.
- 8:00 PM 146.360 Heartland DX Association.

Saturday

- 12:00 PM 146.82 Swap Net Council Bluffs, IA.
- 8:30 PM 3.921.000 QCWA Chapter 20.

Sunday

- 8:00 AM 3.902.500 Swap Net.
- 8:30 AM 3.896.000 3900 Club.
- 8:30 PM 443.925+ (103.5 tone) IRLP Net.
- 9:00 PM 146.940- Douglas County ARES net, KØUSA repeater.

Please let us know of any corrections to the above.