



# HAM HUM



Published by  
AK-SAR-BEN RADIO CLUB, INC. - Omaha, Nebr. 68101  
Post Office Box 291 - Downtown Station

Vol. XXIV  
No. 10

October

## OCTOBER MEETING

WHEN: FRIDAY - OCTOBER 11, 1974

TIME: 8:00 P.M.

WHERE: FITZGERALD FRIENDSHIP ROOM,  
COMMERCIAL FEDERAL SAVINGS AND  
LOAN ASSOCIATION  
4724 South 24th Street, Omaha  
(Free parking in rear off 25th Street)

PROGRAM: By JAMES (JIM) C. DROEGE, WØYCP  
BASIS OF FM STEREO BROADCASTING WITH  
DEMONSTRATION OF TEST GEAR BY WAY OF  
ON-THE-AIR MONITORING.

(Here is your chance to find out why the little red light comes on when you tune in some FM stations and not others.)

WHAT IS MULTIPLEXING? HOW CAN IT BE USED BY HAMS?

VISITORS WELCOME—EYEBALL QSOs—REFRESHMENTS

\*\*\*\*\*

**HAM HUM** is the official organ of the Ak-Sar-Ben Radio Club, Inc., of Omaha, Nebraska, mailed monthly to all members and to others upon request.



Next copy deadline: October 18th

Published by  
AK-SAR-BEN RADIO CLUB, INC.  
Post Office Box 291  
Omaha, Nebraska 68101  
Editor: Dick Eilers, WØYZV  
Phone HOME: 391-2255  
BUSINESS: 342-1402 - EX. 20  
Associate Editor: John Snyder, WØWRT  
Phone HOME: 556-1538  
BUSINESS: 397-3000 - EX. 3761  
Associate Editor: Ervan Heinz, WAØEEM  
Phone HOME: 553-2033  
BUSINESS: 553-4700 - EX. 331

**Annual Dues:**

Regular member .....\$7.50  
Regular member and XYL ..... 9.00  
Student member ..... 3.50  
(due and payable each Jan. 1)

New member initiation fee .....\$1.00  
**Quarterly for balance of year:**  
Regular member .....\$2.00  
Regular member and XYL ..... 2.45  
Student member ..... 1.00

23 September 1974

Board of Trustees  
Ak-Sar-Ben Radio Club, Inc.  
P. O. Box 291  
Omaha, Nebraska 68101

Gentlemen:

I have been apprised by my employer of a promotion opportunity. However, to accept the advancement offer, I must transfer to our New Jersey office immediately. Thus it is apparent that acceptance of the new position and continuing as Club President are mutually exclusive objectives. Viewing the decision with the perspective that the past few days allows, I recognize that my avocational endeavors (Ham Radio) must in the final analysis be subordinate to professional considerations. I will therefore accept the transfer.

Accordingly, please accept my resignation as President, Ak-Sar-Ben

Radio Club, Inc., effective this date.

Fortunately for the Club, the Club Officer selection committee had the foresight to provide a most capable and devoted Vice President, Mike Wilczynski, WBØBMV, who will, according to the Club Charter, assume the Office of President upon acceptance of this letter of resignation.

Let me thank you, the Officers of the Club, for the superb support and guidance you have provided throughout my tenure. It is through your efforts that the Club has made significant progress in the past months. The fine showing at Field Day '74, Hamfest '74, and the development of peripheral Club activities, such as A.R.E.C., demonstrate the strong leadership you have provided in guiding the Club. The increase in Club membership evidences the value of this leadership and while I, as the "man up front" may have appeared to the uninitiated as the sole motivating force

## SUMMARY OF SEPTEMBER HAMFEST

By—Rip, WBØGAJ

in defining and implementing Club policy, I wish to set the record clear on this issue. This President fully recognizes the worth and strength of your cognizant leadership. It is within the Board of Trustees that a vast reservoir of wisdom and good judgment reside. Thank you for sharing that wisdom with me.

To the general membership I likewise extend my thanks. First, for the honor of leading for these past months and for the satisfaction of coming to know you all. Second, for allowing me to represent you in external activities and communications, vis a vis, ARRL as affiliated Club President. Finally, I thank you for your thoughts, suggestions, criticism, compliments, and for the strong sense of fraternalism which permeates the Club. It has been an experience I will long treasure.

So as I prepare to leave Omaha and the many friends I reluctantly leave behind, I say 73 and farewell. May our signals meet often in the ether!

(Signed) Vernard Riportella  
Vernard Riportella, WBØGAJ  
\*\*\*\*\*

### MEMBER NEWS

John T. Curran, WBØHTP, has moved from Omaha on a temporary basis. He is attending the University of Wisconsin doing graduate studies in meteorology. Expects to be back in Omaha the summer of '75. His new address is 6202 Hammersley Road, Madison, Wisconsin 53711.

\*\*\*\*\*

For the Ak-Sar-Ben Radio Club Hamfest held September 15 at Missouri Valley, Iowa, the weatherman provided one of the most pleasant days of a somewhat mediocre summer season. The 275 persons who shared the beautiful afternoon in the City Park with family and fellow amateurs were rewarded by a lively auction punctuated by Kelly, WAØUZX, exclaiming at the top of his voice, "Door Prize!"

The auctioneers were again top-notch as they deftly moved 200 items across the block to their new owners. Holding forth on the auctioneers' platform were Marty Griffin, WAØGEH; Cecil DeWitt, WØRMB, and Jerry Denholm, an auctioneer friend of Marty's.

Though many brought their own picnic baskets, those who didn't did not starve. The Mo. Valley Methodist Church Ladies operated a concession stand for those who wished to obtain hamburgers, pie, soft drinks, etc. The portable repeater worked well for most of the afternoon but later apparently succumbed to the heat. (Hope it wasn't fatal, Marty!)

For the record, let credit be allocated where credit is warranted. Namely, to Russ, WAØVEE, for Program Organization; to Mike, WBØBMV, for facilities planning and establishment; to Ed, WBØBCB, for advertising and promotion; to Kelly, WAØUZX, for fiscal operations; and to Marty, WAØGEH, for support, logistics, and security. If you had a good time at the Hamfest, it is

primarily due to the efforts of these aforementioned "doers."

Thanks also are due to: Lloyd, KØDKM; Mike, WBØDXA; Jim, K5TNP/Ø; Tom, WAØPOD; Joe, WAØWRI; Pete, WBØGOM; Russ, WNØ??; Marge Kelly; Brenda Kelly; Sharon Griffin; Marty, WBØHXA; Bob, WAØDHU; and Jon Penner, WBØGQT. If I've missed acknowledging anyone, please excuse my poor memory.

For all those who attended, we hope you had a good time. To those who missed this one, see you next year.

\*\*\*\*\*

## NEWS NOTES

WØMNN, one of our original SSB pioneers, wishes it known that a IEEE Net is active on 3985 mh., every 2nd and 4th Monday at 0200 GMT.

WØFQB

\* \* \*

Liz Hall of Clinton, Maryland, (Ex-employee of World Insurance Company) stopped in for a visit and indicated she had taken the novice test and was waiting for her license. She is all set to go with a Drake 2B, Q Multiplier and DX60B Transmitter. We have added her name to the Ham Hum mailing list.

\* \* \*

Doug Burghardt, WØWR, said, "I caught a duck with my 2 meter vertical. He flew right into it. Neither survived, but I salvaged a duck dinner out of it."

Via Al McMillan, WØJJK

\*\*\*\*\*

## WORLD OF VHF

July turned out to be a rather interesting month for VHF propagation. There were numerous 6 meter skip openings scattered through the month. Since these are expected I won't recount them. The tropospheric conditions have been good for most of the month with good openings mainly north-south on several days.

July 3rd brought stations in on some local 2 meter repeaters from Minnesota and Texas. The evening of July 11 was of the type that 432 MHZ operators wait for. Signals from WØLER in Minneapolis peaked at 30 over 59 at this station. W9JPJ in Wisconsin running 5 watts was workable on CW. Unfortunately no operators could be found in North Dakota. For several days following, WØLER was workable with signals up to 59. As I write on the evening of July 21, conditions are shaping up for another opening. We shall see.

The biggest event of the month has to be the Aurora which peaked on the evening of July 5 and the morning of July 6. Practically all of the area north and east was workable on 6 meters from here some time during the Aurora. On 2 meters CW, stations from Colorado to Minnesota to Western New York and Pennsylvania were heard and worked. I was quite excited to be able to work K2TXB in Jamestown, N.Y. with 50 watts of CW.

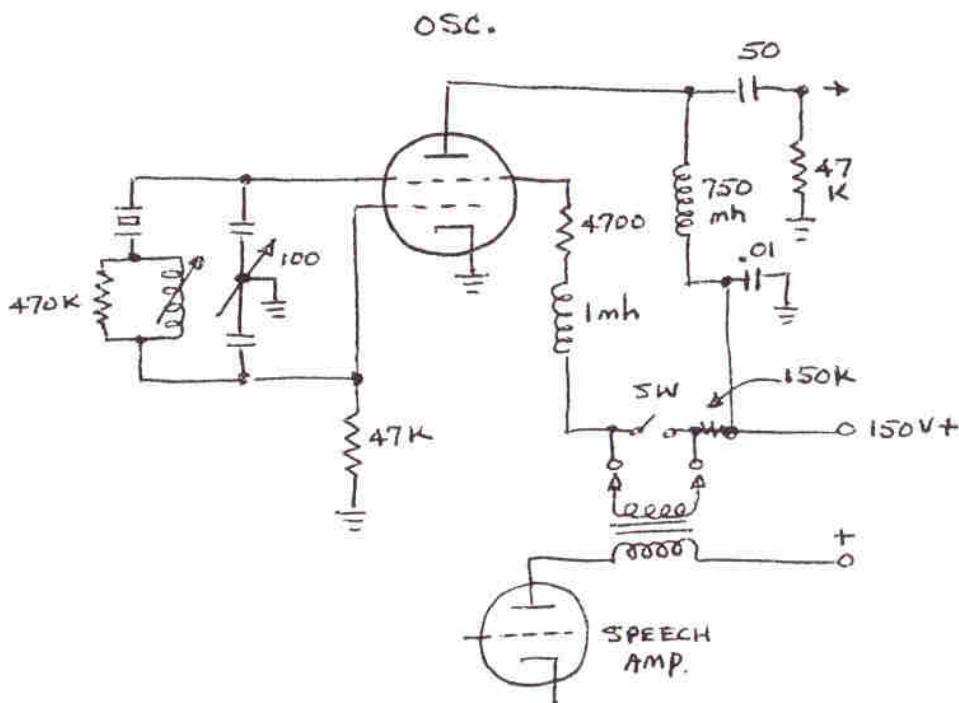
WØBZT reports working 1, 2, 3, 7, VE's and KZ5 on Sunday July 2. How about some reports from the rest of you. I'm sure Jack and I are not the only ones on VHF.

73's Tom, KØTLM  
de PHD News, North Missouri  
\*\*\*\*\*

## LUG ON FM

How to FM your old tube type transceiver, such as Gonset Communicator and the like. Oscillator tube is not critical; any pentode will work. Switch is closed for AM operation.

Further info may be had from QST Sept. '64 on page 29.



Bob Andrus, KØLUG

\*\*\*\*\*

## NEW MEETING HOURS

For security reasons, effective immediately the public meeting rooms at all Commercial Federal Savings and Loan Association offices are to be cleared by 10:00 P.M. daily. This means our meetings at the Fitzgerald Friendship Room must conclude by 9:45 P.M. so the room may be cleared and locked by 10:00 P.M.

\*\*\*\*\*

October 1974

## Tricky Teacher

"How many of you read Chapter 23 in your textbook?" asked the teacher.

Several hands shot up and several more hesitated before they raised their hands.

"That's fine. Those of you who didn't raise your hands may leave. The rest of you will remain to explain how you could have read Chapter 23 when there are only 21 chapters in the book."

- Trestleboard

\*\*\*\*\*

HAM HUM

Page 5

## PRESIDENT'S COLUMN

As many of you know by now, I have resigned the Club Presidency, effective 23 September 1974, in order to accept a new position at my employer's New Jersey office. Thus this is more accurately called a "Past President's Column." If you'll pardon the misnomer for a moment, I will try to capsulize my thoughts as regards my abbreviated term as your Club President.

This group of dedicated amateurs has now attained a momentum of positive accomplishment to which I would like to believe I have contributed. But no matter what the source or impetus of the momentum, what is essential is that it be maintained and increased. This objective can only be realized if more of the general membership takes an active role in club activities and provide more than token support for the Club Officers. We need to integrate the "stand-by" persons who, for reasons best known to themselves, are willing to "stand-by" and watch others do what needs to be done to further Club objectives. As many of you know, amateur radio is at or near a crossroad in its history. The entire future of this hobby is very definitely to be determined by the events of the next year or two. Whether we lost additional bands, or are modified in mission to resemble that "other" service (?) will depend to a great extent on the willingness of a large number of otherwise complacent amateurs to take part, and to get solidly behind the ARRL. If you are unwilling to be motivated or are lulled

to complacency by thoughts that you either can have no effect on events or "don't care to get involved," then, my friend, we all will wake up one morning to find our hobby to non-existent as we have come to know, and enjoy it.

What we all must recognize—and this is of the highest urgency—is that it is only through our collective might and wisdom that this hobby will survive the next couple of years. Now it is true that diversity of interest and operating practice are part of the strength of this fraternity, but when it comes to the final issue, where the stakes are the existency of amateur radio, provincialism has no place. We must provide a united front, and the best way I know of doing this is through strong support of the ARRL. I have heard many grumblings about ARRL from local hams and they always list a catalog of reasons why they do not care to belong. But there is always the fatal flaw to the rationale they offer. It usually boils down to a difference of opinion on one minor issue on which the ARRL has taken a position, a position with which the individual does not agree. Well, nobody wants to quash dissidence, but when in the final analysis our elected ARRL officials do take a stand, whether we agree with the stated policy or not, one must see the value of a solidified and unified stand by amateurs at large. After all, ARRL is the best voice we have in official channels.

Your support for ARRL begins with *your* active participation in *your* local affiliated club. Through your elected club officers, you can and do

affect large scale policy decisions. But you can only affect them if you get up and take an active role.

So in my final "editorial," I wish to leave you with these thoughts. I have been honored and have learned much from you in serving as your President. The most important single issue that I may focus on is the urgent matter of greater direct, active, purposeful participation of the general membership. I hope these words will be taken to heart by every amateur. Thank you for the opportunity to lead and to speak my mind on this and other issues.

Please support to the fullest your new President Mike, WBØBMV. With your support he will continue to build the Club; without your enthusiastic, active support, no leader can build.

73,  
Rip, WBØGAJ  
\*\*\*\*\*

## GUEST EDITORIAL THE 225 MHZ RIP-OFF

By C. C. Drumeller, W5JJ

Nobody relishes the thought of having something stolen from him. Even though he hadn't valued the item highly before its theft (or threatened theft), suddenly it becomes something to be treasured dearly and fought for fiercely.

Thus it is with the chunk of "our" 0-MHz band that the FCC proposes to pry off and throw to the wolves. Wolves, in this case, being that mob of confirmed violators of law, that group of habitual criminals, that collection of conscienceless flouters of all the

rules and conventions that regulate the manner in which one civilized body behaves towards another, The Citizens Radio Service. Were it to go to a group of law-abiding, decent human beings, the hurt would not be so deep.

It was not so bad when the "Goo Band," which never really belonged to the Amateur Radio Service but in which radio amateurs, along with diathermy machines, etc., etc., were permitted to operate, went to the Citizens Radio Service. That Service then had the potentiality of being a highly useful aid for small businessmen, hunters, travelers, and many other decent citizens.

It was not long, though, before the criminal element, encouraged by the lack of FCC interest (one might say even disinterest) in the enforcement of FCC Rules and Regulations or the Communications Act of 1934, took over and made the 27-MHz portion of the CRS utterly useless for lawful purposes. The 450 MHz portion remained almost unused. One wonders why. No "Skip"? No need for false "calls"?

Let's not be too quick to blame the FCC, the EIA, or the criminal element's influence upon Congressmen and other government officials.

Part of the blame lies squarely with the radio amateurs and the representatives of radio amateurs who stiffened their necks and screamed to High Heaven whenever anyone mentioned the possibility of making the upper end of our VHF assignment available for operation by a class of licensees who'd not passed an examination in the International Morse Code. Above two meters, such operation is within

our international treaty commitment. In fact, many nations issue such licenses. Their institution of amateur radio has not suffered seriously; some say these subamateurs never progress on to become real amateurs; some say they do. Regardless, we've had a bit of the same situation with our "mail order" licenses, of which over 80 percent have been obtained by perjury; so we have a number of Novices, Technicians, and Conditionals who could not recognize their own calls at 5 wpm in code!

Be it as it may, there's little doubt that a few hundred thousand radio amateurs, licensed for radiotelephone operation on 225 MHz by an examination inquiring deeply into their knowledge of laws and operation procedures (but not International Morse Code) would be infinitely preferable to a mob of lawless malefactors hungrily eyeing our slenderized 220-MHz band for another rip-off. But Amateur Radio fought such licensing. Now we must pay the piper.

(COLLECTOR & EMITTER)  
de Florida Skip  
\*\*\*\*\*

In the midst of a downpour a man driving past a bus stop saw a girl he knew standing there holding a big oblong box.

"Do you want a lift?" he called.  
"I'm going your way."

"I certainly do," she answered and clambered in, "I've been shopping and I'm just soaked."

"What do you have in the big box?" he asked.

"My new raincoat."

Sunshine Magazine  
\*\*\*\*\*

## THE XYL OF IT

By Rosalind Wilkerson

When he courted me,  
For the most part,  
He lovingly called  
Me sweetheart.

Then came marriage  
And I'd hear  
An enduring patience  
As he called me dear.

Along came the children  
And often as not,  
"Papa" would call me  
"Mama" quite a lot.

All these names I've  
Taken in stride  
And accepted them with  
An amount of pride.

Comes our golden age  
And what do I hear?  
Nothing sentimental,  
Cute or dear.

But initials, and please  
Tell me how in the H——  
Can I accept being  
Called an XYL!!  
de Florida Skip  
\*\*\*\*\*

## SILENT KEY

Leslie W. Sparks, WA5GNP  
P. O. Box 387  
Groesbeck, Texas 76642  
August 20, 1974  
\*\*\*\*\*



## ROSES AND LEMONS

Since retirement I have become more consumer oriented for obvious reasons and with inflation perhaps more hams are becoming consumer oriented too. One set manufacturer contracted for power supply diodes from a concern that I believe shortly went out of business. A good supply of the diodes went bad while in operation at very inconvenient times. The set manufacturer's service was excellent and it is no big trick for a sharp ham to change a diode in a power supply and even protect it from surges while doing the exchange job.

One may ask, "Why didn't the set manufacturer put in diodes with better ratings in the first place and why didn't he use avalanche diodes and, or some cheap surge protection like ceramic bypass condensers." This thought no doubt occurred to the set manufacturer considering that in large quantities his prices were quite low, but the thought also occurred to him that a dollar saved on a run of a thousand sets meant a thousand dollars and he could take a certain amount of service charge as a "cost of doing business" and in addition, quite cleverly, by giving good and quick service he turned a liability into an asset. Incidentally, the same manufacturer knew that most ham set troubles can be cured by tube replacement. While the set is in his plant he can replace tubes which are borderline and pep it up to sound like new again. That is clever merchandising. The same manufacturer was sharp enough about tubes to give them a very tough testing before putting them in a set. If memory serves me correctly, he

October 1974

claimed sixty percent rejection of tubes as received from the tube manufacturers. These tubes went back and then went to the shelves of local parts houses.

So, unless one has had very good luck with tubes from a local dealer, it would make a lot of sense to buy his tubes from the set manufacturer, especially matched finals which the set manufacturer took special pains to match so that one tube won't hog the load and go bad and the other tube goes bad as a matter of course. Incidentally the set manufacturer priced the matched finals very reasonably, again, good merchandising, At least one other set manufacturer does the same.

Speaking of finals, why not run them cooler? Some of us buy fans and at long last, some manufacturers of sets have fans in them, but cost more as an optional extra! It almost seems as if the motor car manufacturers have missed a point — they could charge for the fan as an optional extra!

I have been on a campaign, along with several other hams, for QST to give us more straight dope on items they test and review. According to the ARRL SW Division Director, QST was afraid of losing advertising business; but finally has become a little hard-nosed and amazingly the equipment manufacturers are correcting defects. This builds confidence all around, both in QST and in the manufacturer, but it took a long time for them to see it. I have looked at the ARRL Budget and if we all paid a reasonable amount more per year for dues we could forget about advertising, but we don't want that. We want truth in advertising and in

equipment review. This must be fair and accurate and opinion must be stated as such, but I believe we are at least on the road to improvement. As a consumer, I can do with less advertising hogwash and better products. I am dreaming, but I'd like to see a bit more planning on quality and a bit less planned obsolescence.

Phil, W6PA  
de Amateur Radio News  
Service Bulletin

\*\*\*\*\*

OOPS! Here are the nine most common operating errors on the repeater lately. As the repeater usage increases (we are already averaging 112 hours a week) we need to work on these problems. I doubt if there are more than one or two repeaters in the country more active than ours, and as a result, operating errors are real trouble. The problems wouldn't be so frustrating if they didn't happen over and over again every day. Watch your operating!

- 1) Break without call sign,
- 2) Break with no useful traffic,
- 3) Failure to direct the QSO to the next station,
- 4) Failure to ignore interference,
- 5) Long-winded conversations,
- 6) Button-pushing,
- 7) Comments without a call sign or failure to ignore such activity,
- 8) Constant call signing, and
- 9) Failure to listen before coming on the repeater.

All of these errors are either illegal, rude, or asking for trouble; and you hear the disaster from bad operating every day. Have fun on the system, but please be careful. Sometimes it

takes the repeater many minutes to recover from bad operating. (SQUELCH TAIL, Chicago FM Club, June 1974 issue)

de Indiana Repeater Council  
\*\*\*\*\*

## TWO METER TRANSISTORS FOR MOBILE

(From SCOPE via W6SD CARRIER)

Three new low-voltage transistors for 2 meter mobile applications have been announced by the RCA Solid State Division.

The RCA-40972, 40973, and 40974 deliver 2 W, 10 W, and 25 W respectively, at 175 MHz with a 12.5 VDC supply. The 40972 is supplied in a JEDEC TO-39 package; the 40973 and 40974 use the RCA HF-44 stripline package. Each high power 40974 transistor is load-tested at infinite VSWR. These devices are designed for use in VHF mobile transmitters and high-power class C amplifiers — perfect for 2 meter FM.

The 40972, 40973, and 40974 are priced at \$2.40, \$6.00, and \$12.00, respectively, at the 100 unit quantity level. They are available from stock.

Further information on these devices can be obtained from the RCA Solid State Division, Box 3200, Somerville, New Jersey 08876. Telephone (201) 722-3200, Extension 2561.

de W5KR, Brownsville, Texas  
\*\*\*\*\*

"It is not hard to find the truth; what is hard is not to run away from it once you have found it."

—Etienne Gilson

\*\*\*\*\*

# HAM HUM SWAP

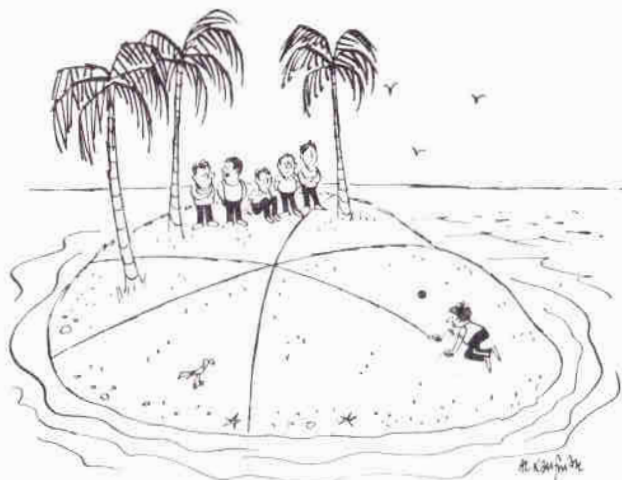
**FOR SALE:** By North Platte Amateur Radio Club  
NATIONAL stereophonic 4-track solid state tape recorder; 1-7/8" to 19" IPS speed; takes 7" reels. Less reels and microphone—\$25.00.  
MON-KEY electronic keyer; needs new power cord—\$5.00.  
Contact Bob Rudd, WØMW, 109 North McCabe Ave., North Platte, NE 69101.

**WANTED:** Pair of 160 meter coils for Central Electronics 10-A Transmitter. Call Charlie, WBØFTU, 292-3597.

**FOR SALE:** BC 221 frequency meter, AC supply. Needs some work but is clean — \$50.00.  
Heathkit HW-100, AC power supply, DC power supply, mobile mount, speaker, microphone, mobile antenna — like new — one owner — \$300.00.  
Almost completed 1 KW PEP G.G. linear, 4 811AS — chassis layout and some wiring completed — all parts to wire as per ARRL SSB version. Will be a fine rig — \$100.  
Vibroplex "gold bug" and case with wedge. Used but in excellent condition — \$30.00.  
The whole works, including three or four boxes of parts, tubes, etc. for \$500.00 firm.

Gary A. White, W5OTJ  
8704 Willow Court  
La Vista, NE 339-0836  
(Via Joe, KØKES)

\*\*\*\*\*



"Appleby's in the real estate business back home."

HAM HUM



# Hobby Industry

Write: Box 864-S  
Council, Bluffs, Ia. 51501  
Phone: (712) 323-0142  
Al McMillan - W0JJK  
Tues/Sat, Noon/5PM



**HAM II** Regular ~~-\$149.95~~

H. I. SPECIAL **\$129.95**

\*\*\*\*\*

**CD44** Regular ~~-\$99.95~~

H. I. SPECIAL **\$ 89.95**

\*\*\*\*\*

THE HEAVY DUTY - HAM-II... 98 BALL BEARINGS, STEEL GEARS, POSITIVE LOCKING BRAKE.. (29 LB).

THE STANDARD DUTY - CD44... 50 BALL BEARINGS, STEEL GEARS, FRICTION BRAKE..... (22 LB).

CONTINUING THE TRADITION OF THE HEAVY-DUTY, CAST ALUMINUM, IN-LINE ROTORS, SUPPORTING BIG VERTICAL LOADS ON TWO SIX INCH RACES & BALL BEARINGS. BOTH MODELS HAVE A HUSKY 800 IN/LB TURNING TORQUE. THE STRIKING NEW CONTROL BOX HAS A FRONT PANEL CALIBRATION CONTROL WITH SEPARATE ON/OFF CONTROL FOR CONTINUOUS METER INDICATION AND INDIVIDUAL SNAP ACTION SWITCHES FOR EACH DIRECTION ROTATION. NORTH CENTER.