



# HAM HUM

Published by  
AK-SAR-BEN RADIO CLUB, INC. - Omaha, Nebr. 68101  
Post Office Box 291 - Downtown Station



Vol. XIX  
No. 1

January 1969

## NEXT MEETING

WHEN: Friday - January 10, 1969 - 8:00 P.M.

WHERE: 3rd Floor Auditorium  
NEBRASKA METHODIST HOSPITAL  
84th and Dodge Streets, Omaha  
Use front (east) entrance

WHAT: PROGRAM by: Dr. Stanley M. Bach, WAØIIX  
Dr. John L. Barmore, WØZYP  
Mr. John D. Snyder, WØWRT

Tour of electronic facilities of hospital  
including the linear accelerator area.

**HAM HUM** is the official organ of the Ak-Sar-Ben Radio Club, Inc., of Omaha, Nebraska, mailed monthly to all members and to others upon request.



Next copy deadline: January 31st

### PRESIDENT'S CORNER

Thanks for the vote of confidence by electing me president. I will do my best to make this a good year for the Club. However, it is my belief that what I do or don't do will have very little effect on the kind of year the Club has. Club success depends on Club effort.

My idea of what a radio club should accomplish is "to help the members get more pleasure and satisfaction from ham radio." To accomplish this, no member should look at things from a selfish standpoint. Some of the members get the most enjoyment out of the monthly meetings and the eyeball QSO's that follow; some get more pleasure out of working on community projects; some look forward to Field Day as the Ham event of the year. This list could be endless as each of us has his own pet projects. The success or failure of any of these depends on all of us. If something is going on that you are not really interested in, pitch in and help out and then maybe others will do the same when your pet project comes along.

Some things are work instead of pleasure, but only if they are left to a

Published by

AK-SAR-BEN RADIO CLUB, INC.  
Post Office Box 291  
Omaha, Nebraska 68101

Editor: Dick Eilers, WØYZV

Phone HOME: 391-2255  
BUSINESS: 342-1402 - EX. 311

Associate Editor: John Snyder, WØWRT

Phone HOME: 556-1538  
BUSINESS: 551-0669 - EX. 518

Associate Editor: Ervan Heinz, WAØEEM

Phone HOME: 553-2033  
BUSINESS: 553-4700 - EX. 331

very few. Ten hours work done by two people is just that — it's work. If ten people are around to split up the work it turns into a nice QSO party.

If you have any ideas for the Club just write them down on the "postage free" card included with each issue of HAM HUM. I assure you that each idea will be given careful consideration by the Board and adopted if at all possible.

Let's all get together and make it a good year for the Club with lots of enjoyment, satisfaction, and fun for everybody.

Royce E. Johnson, WAØKIL  
\*\*\*\*\*

12-17-68

Hi Gang:

Just a note to tell you we miss talking to our old friends in Omaha.

Never seem to hear anyone from there.

Recently got my Extra and new call.

73's  
Jim Noland  
EX WØAWX  
WA6JBB  
now K6NT  
\*\*\*\*\*

The 1968 Annual Meeting and Christmas Party of Ak-Sar-Ben Radio Club, Inc. was held on December 13, 1968 in the Cafeteria of the World Insurance Company. Approximately 100 persons attended. Included were members, guests and children.

President Robert C. Lockwood, WAØDHU, called the meeting to order about 8:15 P.M. Minutes of the 1967 annual meeting were read and approved. Treasurer Harold E. McClenahan, WAØDGA, gave his report. A short business meeting was held, followed by the election of officers.

John W. Orr, WØPHW, Chairman of the Nominating Committee, reported that the following had been selected and were nominated:

For President

For Vice President

For Executive Council:

Royce E. Johnson, WAØKIL

Frederick Fischer, Jr., WØEGP

James C. Anderson, KØDNE

Carolyn Bowen, WAØMYF

John C. Ebright, WAØQGZ

Henry J. Dworak, WAØQLE

All nominees had previously agreed to serve in their respective capacities. President Lockwood asked for additional nominations from the floor. There being none, motion was made and seconded that the nominations be closed and that the Secretary be instructed to cast a unanimous ballot for the nominees. Motion carried unanimously.

Members expressed appreciation by a round of applause for the time, effort and service rendered by the following outgoing members of the Executive Council: David C. Moses, WAØGED; Ervan D. Heinz, WAØEEM; Edward Kilton, KØEYR; Jay C.

McAleer, WAØLLQ; Harold E. McClenahan, Jr., WAØDGA; and Dick L. Eilers, WØYZV.

President Lockwood recalled the highlights of the year and thanked all who had served on committees and who had given their time and effort toward furthering the activities of the Club.

Dick L. Eilers, WØYZV, presented a Past President's plaque to Robert C. Lockwood, WAØDHU, in appreciation and recognition of his service as Club President during 1968. Mr. Lockwood thanked him and then called President-elect Royce E. Johnson, WAØ-

KIL, to the platform and presented him with the gavel. After a few remarks President Royce adjourned the meeting.

During the annual meeting the children were entertained in an adjacent room by Christmas movies, and later returned to the meeting room where all enjoyed the singing of members of the Ak-Sar-Ben Chapter of the Society for the Preservation and Encouragement of Barber Shop Quartet Singing in America, Inc. Our own Jim Anderson, KØDNE, is a member of the group.

Refreshments were served which included cake, ice cream, coffee and

pop. Special Christmas treats were provided for the children. There was an exchange of gifts and drawing for door prizes for members only as well as an exchange of gifts for guests. In addition there was a special door prize for the ladies which was won by Maxine Donze, XYL of WØYEV.

\*\*\*\*\*

The Season's Greetings and a joyous 1969 to all. I thoroughly enjoy Ham Hum and many thanks for including me.

73,  
Sum - WØGQ  
(Sumner H. Foster)  
\*\*\*\*\*

## 1969 BOARD OF TRUSTEES

President	Royce E. Johnson, WAØKIL	(1969-70)
Vice President	Frederick Fischer, Jr., WØEGP	(1969-70)
Past President	Robert C. Lockwood, WAØDHU	(1969)
Executive Council:	James C. Droege, WØYCP	(1969)
	Norval E. Bowen, WAØNPF	(1969)
	James L. Knudsen, WAØMHF	(1969)
	Charles A. Michel, KØQVL	(1969)
	James C. Anderson, KØDNE	(1969-1970)
	Carolyn Bowen, WAØMYF	(1969-1970)
	John C. Ebright, WAØQGZ	(1969-1970)
	Henry J. Dworak, WAØQLE	(1969-1970)

\*\*\*\*\*

## Past Presidents of the Club

1945 - N. P. Nelson	1957 - Curt Hicks
1946 - John Leeder	1958 - Ed Gutmann
1947 - Art Gaeth	1959 - Dave Hollander
1948 - Herb Curry	1960 - Max McKinney
1949 - Elmer Stein	1961 - John Droescher
1950 - Doc Becker	1962 - Royal Enders
1951 - Earle Olson	1963 - Joseph F. Berounsky
1952 - John Orr	1964 - Louis A. Cutler
1953 - Ray Strange	1965 - Edmond E. Donze
1954 - Frank Cooper	1966 - Byron J. Smith, Sr.
1955 - Art Stadler	1967 - Ervan D. Heinz
1956 - Dick L. Eilers	1968 - Robert C. Lockwood

\*\*\*\*\*

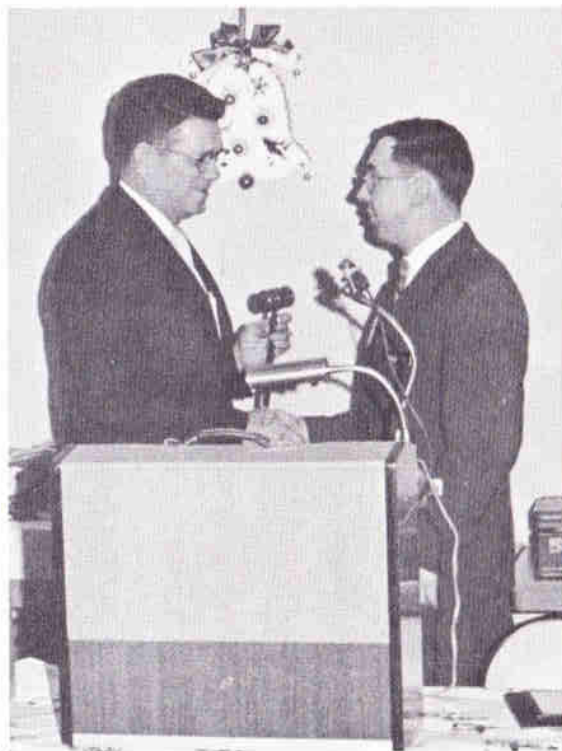


President Johnson gives Dixie "State of the Union Message."



Mac, the knight, registers and pays his dues early.

Dick Eilers, WØYZV, presents appreciation plaque to Past President Bob Lockwood, WAØDHU.



Past President Lockwood turns over gavel to President Johnson. ➡

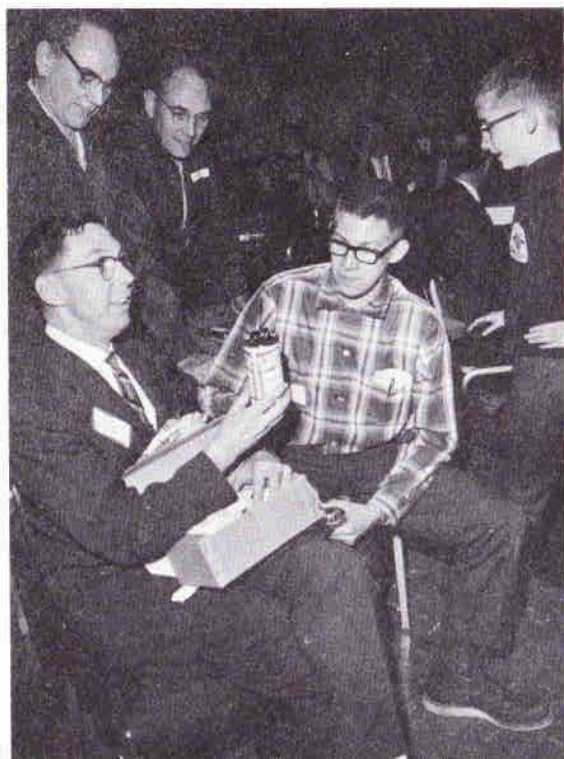


Treasurer's Report at Annual Meeting by WAØDGA.



President Royce E. Johnson, WAØKIL, and our First Lady Bird.

WAØDHU wins lighter in an 807.



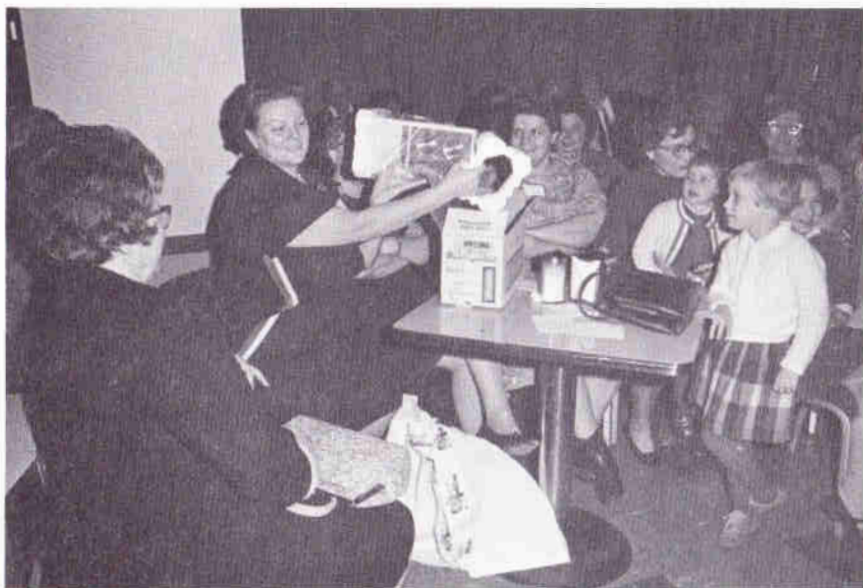
Past President Bob Lockwood, WAØDHU, reviews 1968 and thanks members.



Program presented by the Ak-Sar-Ben Chapter of the Society for the Preservation and Encouragement of Barber Shop Quartet Singing in America, Inc. Our own Jim Anderson, KØDNE, is a member of the group.



First lady on the Board of Trustees, Connie Bowen, WAØMYF, stands in background. OM Norval, WAØNPF, also a member of the Board, pays his dues.



Maxine Donze, XYL of WØYEV, wins ladies' door prize - a radio.



Cecil, WØRMB, brings Christmas records donated by Radio Shack.

\*\*\*\*\*



## LEARNING CODE

The best way to learn code is to copy off the air with a receiver. Tapes and phonograph records are useful in the beginning, but unless one has a large inventory, the text is easily memorized and becomes useless as a means of building up one's speed. Coded groups are not as valuable as straight text in amateur work.

Learning code is like learning to read. After one has mastered the alphabet, the next step is to build up a vocabulary of combination of letters. Simple combinations such as "ar," "ed," "fl," "is," should be memorized. As one gets better, longer combinations such as "the," "ing," "are," and "off" should be memorized. As one gets still better, longer combinations such as "will," "eer," "king," "tion" should be memorized.

At speeds of 40 words per minute or higher, one no longer copies individual letters, but instead, recognizes combinations of letters. For example, the word "unwillingly" may be recognized as a combination of "un," "will," "ing," and "ly."

Certain combinations of letters such as "oo" and "mo" enable one to get caught up because they take a long time to send, that is, they take up longer time bits or bauds. On the other hand, a combination such as "ish" is not dissected letter by letter, but more or less guessed at since they come in such quick sequences.

At extremely high speeds of 50 to 60 words per minute and over, the operator no longer listens to individual combinations; he must recognize whole words and groups of letters. High speed ability is dependent on ability to build up his bit vocabulary.

At these high speeds, one must get set for bursts of cognitive sounds. Familiar words, and combinations of letters enable one to get caught up and be braced for the next burst of sound. Numbers take a long time (bauds) to send and so are convenient resting points.

High speed code-copying ability is like high speed reading. One must train one's self to take in whole groups of words. The eye does not move smoothly across the printed page. It proceeds in discrete increments, adjusting itself to the comprehension level. Likewise, one must learn to do this with sound.

A pair of high-speed code operators can carry on conversation with each other as readily as they talk to each other by voice. Nothing is written, code sounds are translated directly into intelligence. They do not visualize a written string of words nor do they visualize dots and dashes as some beginners do.

High-speed operators can copy 60 to 65 words per minute on the typewriter, but can copy in their heads up to as high as 70 to 75 words per minute. I refer you to my QST article in 1966 in which this subject is discussed in detail.

Katashi Nose  
KH6IJ/KA2IJ/K1PND  
10 Cambridge Street  
Belmont, Mass. 02179

(Katashi adds:) "Greetings from Boston Mass. I am working for Harvard University. I met KA7AB, John at the New England Annual DXCC meeting."

de FEARL(M) NEWS  
\*\*\*\*\*

## TRANSISTORIZED BFO FOR 455 KC

If you happen to have acquired a "phone only" receiver and would like to receive code or play with SSB, here is a little BFO that might save lots of modification of the receiver. It's transistorized, works on a flashlight battery, and fairly stable. Mounting and chassis details are up to you. At this frequency, nothing is terribly critical.

The pitch control, C1, is a small 15 mmf. variable capacitor. Pick out a smooth one with good bearings because you will be moving it quite a bit with SSB.

Align the BFO by setting the pitch control at midpoint, and tuning a carrier full on. Adjust the transformer slug for zero beat.

To feed the signal into the receiver,

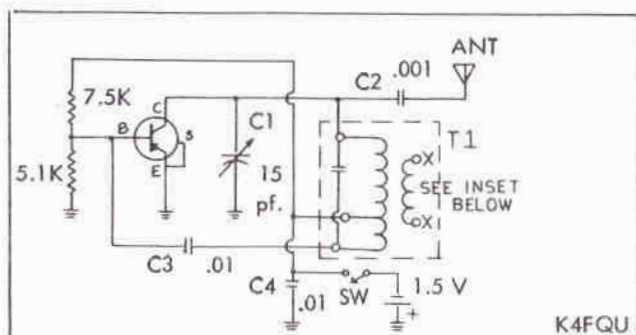


Figure 1. Transistorized BFO or Oscillator.

The transformer is a Miller No. 9-C2 I.F. transformer. Modify the transformer by removing the shield can and backing the slug out as far as it will go. (Note: Go easy. Don't force anything!) Now gently cut the two leads at the pins shown in Fig. 2, marked "X" - on the side where the three lugs are. Don't damage the base or the small capacitor inside the transformer.

put about a foot of hook-up wire where the circuits shows "ANT" and try coupling to the receiver antenna or around an I.F. tube, or somewhere in the receiver that gives a good clean signal.

The original transistor is a PNP type 2N544, but these may be hard to get. An RCA 2N217 is an exact substitute, but any good I.F. transistor will do the job. All resistors are 1/2 watt, and all capacitors should be ceramic except C4, which can be a good quality by-pass.

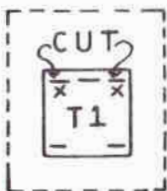


Figure 2.  
Bottom View of  
Transformer. Cut  
wires at points  
indicated.

-From "QRZ'D" Ramona RC, San Gabriel, Calif., via FLORIDA SKIP, and reworked by W8FBH.

de Signal Report, Florida  
\*\*\*\*\*

December 20, 1968

Ham Hum  
Omaha, Nebr.

New Year and my check list of calls and operators getting crowded and ragged; time to start a new book.

I thought I would make it easy this time, and begin with my old books, take out the calls that I still find active on the bands I work, copy them in the new book. It just did not work out. Too much time reminiscing this or that contact. Too sad to mark this and that Silent Key.

Like July 21, 1954, WNØUOW, Duffy, my first contact on the air. Tho he lived only two miles from my home, I had never met him; last summer at Field Day he laughed at the recollection of that contact, how I signed and then drove to his home to actually visit with him eyeball. The thrill that comes once in a lifetime. Or the DX contacts I had made with K6DVD, Leo, Lemon Grove Calif. and K6GHO, Ernie, Lemon Grove, and the eyeball contact during a visit that summer to Calif. And the many other contacts I had made as a novice. Then I began to check the Silent Keys, WØBBS, Ty, WØCOU, Mac, WAØ-CEW, Darrell, and I put the books away.

Start a new book with the new year and take the time to jot down the call, QTH, date and band. At least it will be current list of the guys and gals I am working with now.

Careful examination of the systems, books I have used, made me careful in selection of the new book, and a simple 5x8 indexed address book,

sewed, not glued binding, large index letters, wide spaced lines, 28 to the page, about 112 lines per alphabet letter, cost 98c, seems ideal. Should last a few years, as I only jot down the call etc. of first contact with a station after I start the new book.

This gives the illusion of my having a phenomenal memory, but the real purpose is to have a quick and easy reference to who is who, QTH, and probable traffic routing.

73,  
Dayton, WØVEA  
\*\*\*\*\*

You can lead some people to a conclusion, but you can't make them think.

\*\*\*\*\*

**OFFICIAL BULLETIN NR 198  
FROM ARRL HEADQUAR-  
TERS NEWINGTON CONN  
DEC 5 1968 TO ALL RADIO  
AMATEURS BT**

ARRL efforts to keep the six meter band fully open to all holders of renewable amateur licenses have again been rejected by FCC. It denied RM 1352, most recent petition of the League in this matter, which can be found in Happenings of the Month, November QST. While FCC did reiterate its intention of watching the restricted segments closely for possible future changes, it feels that the Docket 15928 version of incentive licensing needs longer trial and changes now would be premature. Thus the restriction of 50.0 to 50.1 MHz to Extra and Advanced licensees, which became effective November 22, continues to be in effect  $\overline{AR}$

\*\*\*\*\*

# A FEW HOURS WORK AND BEHOLD AN ACCURATE FREQUENCY SPOTTER

By K4PZW\*

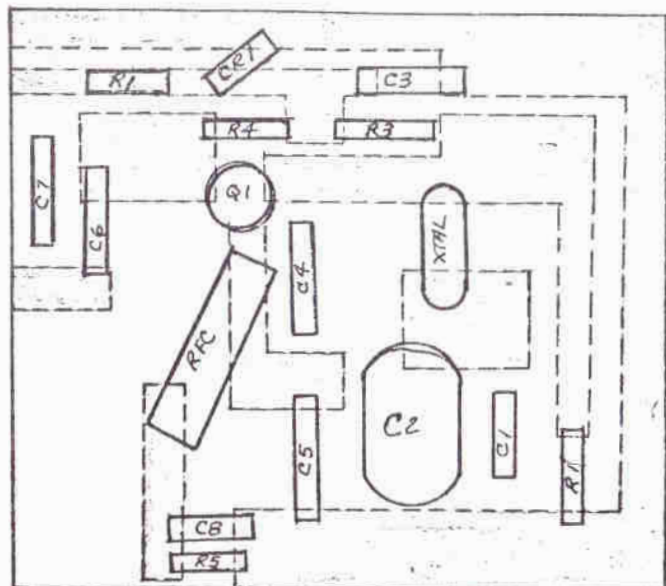
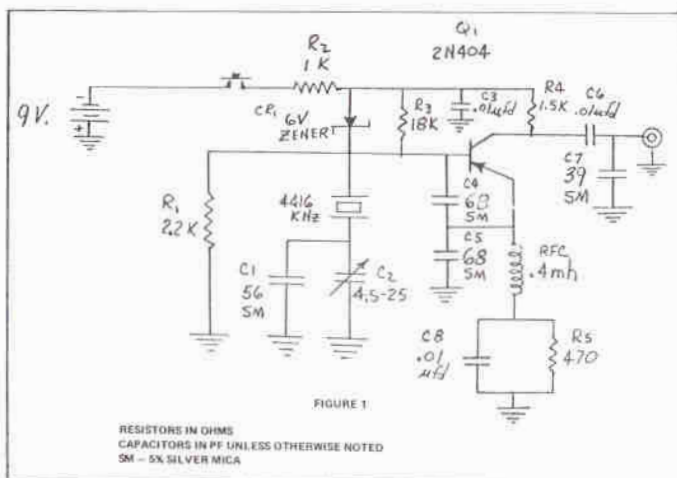


FIGURE 2

ACTUAL SIZE -  
COMPONENT SIDE UP -  
COPPER FOIL BELOW

This simple spotting oscillator was constructed as a standard for an Air Force MARS frequency 4416 KHz, however, the circuit is useable on any of the HF bands.

Although the circuit (Fig. 1) is not original, the layout of the parts (Fig. 2) used here requires a very simple circuit board. The board can be etched, but may also be scored with a sharp knife and the unwanted copper stripped away.

To assure good stability, silver mica capacitors should be used where indicated. The high accuracy (32 pf) crystal used here was obtained from Savoy Electronics in Ft. Lauderdale, Florida, but other manufacturers list similar close tolerance crystal units.

The 2N404 transistor was used since it was available, but other PNP transistors should work just as well. If a NPN transistor is used, which would require reversed battery polarity, be sure to reverse connections to the zener diode.

The variable capacitor allows frequency adjustment of about 100 Hz.

The unit is housed in a small aluminum box and is coupled to the receiver input with a short length of RG 58 coaxial cable.

Only a couple of evenings are required to complete this unit, and there is a lot of satisfaction in being able to spot a frequency, within a few Hz.

\*Robert J. Murphy  
7103 Wendy Circle  
Jacksonville, Fla. 32211  
de Florida Skip  
\*\*\*\*\*

FROM THE WHITE HOUSE,  
WASHINGTON, D. C.

"My congratulations and warm appreciation go out to all who observe the 20th anniversary of the military departments MARS program on November 26, 1968.

Your project is one that represents a long and selfless contribution to the development of communications skills. It reflects an invaluable fund of worthwhile experience and civic dedication. It is a widely recognized asset in armed forces auxiliary and emergency communications.

As its members, operators and managers, you sustain a most useful radio, telephone and written interchange between our military personnel overseas and their families here at home. This service has earned you the gratitude of the servicemen whose hearts you gladden and of the nation whose interest you uphold.

You are writing a bright and inspiring chapter for amateur radio, and you are making the MARS program a universal symbol of American generosity and goodwill.

May you have every future success."

Signed Lyndon B. Johnson  
President of the United States

(Editor's Note: This item was sent in by Navy MARS but the statement includes all military departments. Our thanks to LCDR. R. E. Mickley, Chief, Navy Mars, for submitting it.)  
\*\*\*\*\*

Twiggy has signed to star in a movie. We do not have many details except that it will not be wide screen.

\*\*\*\*\*

Ham Hum Ed.

Hi:

The many variables encountered using a Field Strength Meter are partially overcome by placing the R.F. pickup, rectifier at a distance, connecting this to the meter by cable, so the meter is near to the antenna and you can easily note the improvements, or lack of them, and compare antennas more accurately.

The simplest F.S. I have been able to use is packaged in a Band-aid can, with heavy metal weight glued inside the flat side, connections on top-flat-side for dipole antenna, connections at end of cable to the meter.

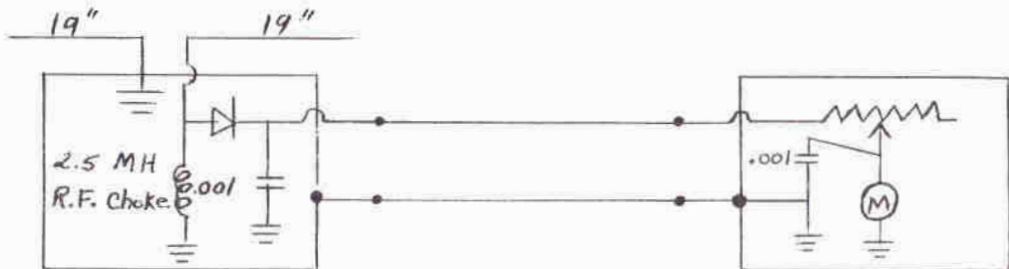
With the dipole-can on a post about 75 feet from Yagi loaded by a 2 meter Lunchbox, about 60 feet of telephone lead-in cable to the meter, I get a 3/4 scale reading on meter, with a balun-fed dipole, just barely move the meter.

Parts— Band-aid can, 2.5 MH RF choke, germanium diode, .001 cap., mounting for dipole antenna, and connectors for cable. Cable, enough to reach from dipole to meter.

Meter, (I used a 20 micro-amp, 3" face) 10 K pot, .001 cap.

For me, this works FB, less sensitive meter — smaller pot, or more antenna.

73,  
Dayton, WØVEA



\*\*\*\*\*

**FOR SALE**

- Millen 300 Watt Antenna
- Tuner ..... \$40.00
- Heathkit HP-13 12V SSB
- Power Supply ..... \$40.00
- 2 Motorola 5V FM Converted to  
12V 2 Meters ..... \$75.00 each

Charles Michel, KØQVL  
2015 North 50th Street,  
Omaha  
Phone: 551-0085  
\*\*\*\*\*

Definition of a family man: A fellow who has replaced the currency in his wallet with snapshots.

Road maps tell a motorist everything he wants to know, except how to fold them up again.

The Internal Revenue knows what to give a man who has everything. An Audit.

de Ham Fax, Ohio

\*\*\*\*\*

## FCC LICENSE RENEWAL

In accordance with Section 97.47 of the FCC Rules and Regulations, applications for renewal of unexpired licenses must be made during the license term and should be filed within 30 days but not later than 30 days prior to the end of the license term. If a license is allowed to expire, application for renewal may be made during a period of grace of one year after the expiration date, but during this grace period, an expired license is not valid. Your old license or a copy of your old license must be submitted to the FCC on application for renewal. FCC will not return old licenses sent to them but will accept a Xerox or copy. You might want to keep your old license for sentimental reasons.

## FCC KANSAS

A dealer in Citizen's Band Radio Equipment in the central Kansas area was demonstrating a piece of equipment when a station in Florida came skipping in. The prospective customer asked if it was possible to talk to him. The dealer just picked up his microphone and gave him a call raising him on the first try. Several days later an FCC inspector visited the dealer and assessed a \$100.00 fine.

## FCC FINES CITIZEN'S BAND OPERATORS

A 'ragchew' on Citizen's Band Radio sets, broken up by the FCC last October has resulted in fines ranging from \$100 to \$300 against most of the participants. Several participants are losing their licenses. The individuals were nabbed by the FCC for using their Citizen's Band Radios for conversational round robin sessions. Participants in the sessions identified

themselves by fictitious names (Blue Jay, Cannon Ball, Red Eye, Queen Bee, etc.) Nearly \$2000 in fines have been levied by the FCC's Safety and Special Radio Services Bureau against the station operators.

## COMMISSION GROPE FOR SOLUTION TO LAND-MOBILE PROBLEMS

In the face of mounting pressures from the land mobile services, the FCC is intensifying its search for ways to make additional channels available for land mobile use. Special study committees are considering several possibilities, including sharing of the VHF TV channels, similar sharing of UHF channels and the outright diversion of a group of UHF TV channels. If the UHF channels are to be diverted, the land-mobile groups would prefer the frequencies immediately above the lower end of the UHF band (470MHz).

Despite the stop gap measures, Mr. Hyde stated that FCC is still considering taking some UHF/VHF broadcast channels for use by this service.

de Ham Fax

\*\*\*\*\*

Never take chances in heavy traffic. The cars may be stacked against you.

\*\*\*\*\*

Sending a youngster through college these days is very educational. It teaches his parents how to do without a lot of things.

de Ham Fax, Ohio

\*\*\*\*\*

**OFFICIAL BULLETIN NR 197  
FROM ARRL HEADQUAR-  
TERS NEWINGTON CONN  
NOV 29 1968 TO ALL RADIO  
AMATEURS BT**

On November 19 word was received from the International Telecommunications Union in Geneva that Indonesia has withdrawn its objection to international communications by its amateurs. Contacts with stations using the prefix YB are now permissible. This information updates the list appearing on page 89 of December QST AR

\*\*\*\*\*

**OFFICIAL BULLETIN NR 201  
FROM ARRL HEADQUAR-  
TERS NEWINGTON CONN  
DEC 26 1968 TO ALL RADIO  
AMATEURS BT**

The next ARRL Simulated Emergency Test will take place January 25 and 26, 1969. This exercise is a serious effort to test local emergency plans and procedures under simulated emergency conditions. It will include all Amateur Radio Public Service Corps amateurs, in AREC NTS and RACES. There will be local exercises and nationwide traffic handling activities including traffic for the Red Cross, ARRL, civil defense and other agencies. You are urged to contact your local Emergency Coordinator now while there still remains time for you to be worked into the SET plans and help to justify the amateur service in terms of the public interest, convenience and necessity AR

\*\*\*\*\*

**FCC REPORT**

We think that practically all of our readers are familiar with the fact that three amateurs were indicted for using obscene, indecent, and profane language on the amateur bands. Many also are aware that two of them pleaded "nolo contendere" and each was sentenced to three months imprisonment and fined \$100. The sentences for imprisonment were suspended and the defendants were placed on probation for two years.

On November 14, the FCC released the result of the third individual. He was sentenced to six months imprisonment on each of seven counts, the terms to run concurrently. He was also fined \$100 on each of the seven counts, or a total of \$700. Unlike the previous two however, no mention is made of the sentence being suspended.

These actions are of course separate from what actions the FCC might take relative to the licenses of the individuals....

(from: "Amateur Radio News Service Bulletin," Holton, KS, November 1968)

\*\*\*\*\*

Automation hasn't cut out red tape; it merely perforated it.

\*\*\*\*\*

When a woman admits she's close to thirty, you can bet that she's been closer.

\*\*\*\*\*



## FCC BILL HR 14910 APPROVED

This bill authorizes the FCC to regulate the manufacture, import, sale, shipment and use of electronic and electrical equipment to prevent interference with radio and TV reception. The FCC doesn't intend using this bill in regard to broadcast equipment (Radio and TV). Rules for this type of equipment have been set by the Electronic Industries Association. The targets of this bill are wireless microphones, walkie-talkies, garage door openers, dielectric heaters, induction heaters, etc. Under present laws, the FCC can ban equipment which radiates electromagnetic energy only after it has been marketed and caused interference.

## TAIL ENDING

Just a reminder, tail ending became legal on January 15, 1968. The rules now require identification of both stations only at the end of a QSO.

## FCC MONITORS

The FCC now monitors CB stations 24 hours per day searching for violations. Tape recorders monitor all 23 channels and FCC monitors check everything transmitted. FCC monitoring is normally limited to spot checking all radio services throughout the spectrum. The CB'ers seem to be having problems complying with the Rules and Regulations.

## ASSIGNMENT OF TWO LETTER CALL SIGNS TO AMATEUR EXTRA CLASS LICENSEES

The FCC has amended the amateur rules effective November 22 to provide for the assignment of two letter calls to applicants holding an Amateur

Extra Class Operator license and who held any amateur operator license issued by the Commission, or by one of its predecessors, 25 years or more prior to the receipt date of an application for such assignment. This provision is in addition to that which permits the assignment of such calls to previous holders of two letter calls. Applications may be filed by mailing check or money order for \$20.00 along with form 610 and copy of current amateur extra class license to the FCC, Gettysburg, Penna. 17325. If modification or renewal is also requested, the filing fee is \$22.00 or \$24.00 respectively.

## 165 NEW CHANNELS

165 channels in the 450-470 MHz band for use by public safety, industrial, and land transportation radio services have been awarded by the FCC. Police agencies, 20 exclusive new channels with access to 16 more, fire agencies got 5 exclusive new channels. The additional channels were made available by reducing the 450-470 MHz channel width from 50 KHz to 25 KHz and existing licensees have until 1 June 1968 to reduce their output frequency deviation.

de Ham Fax, Ohio

\*\*\*\*\*

While reading the fine print may give you an education, not reading it will usually give you some experience.

\*\*\*\*\*

Don't worry if you get kicked in the rear ... it simply means that you were out in front.

\*\*\*\*\*

November 17, 1968

December 1968

Fellow Hams:

Thank you so very much for including me in your mailing list to receive "Ham Hum." My thanks to Tom Fifer, K8BKF, for telling me of your publication. Regards to all the hams, especially in and around O'Neill - Matt Beha, WØLFJ - Ray Clifton, WØHTA - Ken Werner at Chambers and my many friends. My ears are always tuned for a Nebraska or Colorado contact. In the 1950's I was Owner-KVHC, O'Neill (now KBRX). I am now with the Voice of America in Thessaloniki, Greece. Operation here is on 10, 15 and 20 meters. Especially look for me weekends 1300 GMT to 1600 GMT on 28,550 KC. QSL via K9CSM-9238 South Kingston Ave- Chicago, Ill. 60617.

73's

Bob LaRue-WØDZB/SVØWM

\*\*\*\*\*

**OFFICIAL BULLETIN NR 200  
FROM ARRL HEADQUARTERS  
NEWINGTON CONN  
DEC 19, 1968 TO ALL RADIO  
AMATEURS BT**

The Federal Communications Commission has changed the eligibility requirement for Novices. Effective January 24, 1969, anyone not licensed as an amateur by FCC in the 12 months prior to this application will be able to take the Novice test and receive a two year license. However, FCC denied the ARRL request that current holders of Technician Class licenses also be made eligible for Novice. Full details will be in the February issue of QST AR

\*\*\*\*\*

FEARL(M) NEWS

**TECHNICAL TIPS**

Many mobile operators leave their car engines running when they are not in motion to keep their batteries charged. Unless you have an extra heavy duty alternator, idling the engine will not supply the demands of the average transmitter. Racing the engine not only throws your money out the exhaust pipe but wears your engine needlessly, not forgetting the condensation that takes place in your exhaust system that sooner or later rots the muffler and tail pipe. Running the engine is a waste of money as well as power. To eliminate these problems--

1. Install the largest battery available for your car - buy a well-known brand, the cost may be a little high but if you figure it over a 3-year period, you will find it to be quite low per year.

2. Check your voltage regulator, make sure that it is adjusted to suit your need (short run trips require a higher charging rate, etc.)

3. Use your hydrometer - a difference of more than .025 specific gravity between cells indicates troubles.

4. If your battery is low and in need of a charge, try to avoid those fast charges. They can overheat your battery and buckle the plates. A slow charge is best for your battery, the slower the better.

5. Watch your water level especially during the summer months.

6. Make sure your battery cables are clean and tight. A little grease or

oil helps to keep battery cables from corroding.

7. Keep your battery clean; current can seep from the top of a dirty battery to ground which is usually the **amp** that holds the battery.

8. Install a volt meter — when the voltage drops below 12 volts, stop transmitting and start your engine.

9. Keep your battery fully charged at all times. A trickle charge used overnight does wonders for a battery.

If you really want to make sure that you are not caught short with a dead battery — install a second battery. Use a spot switch, then you can switch from a dead battery to a live one. Do not make the mistake of hooking up the second battery with your present one. Unless the batteries are of the same make and age, you are inviting trouble.

(WB2FNT-LIMARC)

(from: "Florida Skip," Miami Springs, FL, Oct 1968)

\*\*\*\*\*

## OFFICIAL BULLETIN NR 199 FROM ARRL HEADQUARTERS NEWINGTON CONN DEC 12 1968 TO ALL RADIO AMATEURS BT

Word has been received from FCC that a third party traffic agreement has been made with Korea for the period December 21 through January 3 only. This will permit an exchange of holiday morale traffic between armed forces personnel and their families at home. The temporary agreement is good only for the specified period of December 21 through January 3 AR

\*\*\*\*\*

XYL (to Jr. Op): "You can't go to the dance looking like that. Wash your face, comb your hair..."

Son, "Why, it's not formal."

\*\*\*\*\*

## CHILDREN LEARN WHAT THEY LIVE

- If a child lives with criticism, he learns to condemn.
- If a child lives with hostility, he learns to fight.
- If a child lives with ridicule, he learns to be shy.
- If a child lives with shame, he learns to feel guilty.
- If a child lives with tolerance, he learns to be patient.
- If a child lives with encouragement, he learns confidence.
- If a child lives with praise, he learns to appreciate.
- If a child lives with fairness, he learns justice.
- If a child lives with security, he learns to have faith.
- If a child lives with approval, he learns to like himself.
- If a child lives with acceptance and friendship, he learns to find love in the world.

How is your child learning?

(from: "Ham Fax," Cleveland, OH

\*\*\*\*\*

# NOW—GALAXY PROUDLY UNVEILS

**NEW Power!**  
**NEW Features!**  
**NEW Beauty!**

## THE EXCITING NEW **GT-550** **TRANSCEIVER**

**5 BAND**  
**SSB**  
Mobile or  
Fixed  
Station

☆ AND A COMPLETE LINE OF HANDSOME  
**MATCHED ACCESSORIES!**



The New Galaxy  
Wattmeter/Antenna Selector

The Powerful New Galaxy  
GT-550 TRANSCEIVER

The Beautiful, Matching  
Galaxy Speaker Console

## **"HOT," Husky, and Handsome!**

You asked for it...now it's here! The new GALAXY GT-550 and a complete line of handsome matching accessories!

Your suggestions made it possible. We took your ideas—added some of our own and went to work. We built in new power, new conveniences—such as a 25 kHz calibrator option, and no frequency jump when you switch sidebands. Then we hired the best designers in the business to give GALAXY a distinctive "New Look"!

Our new GT-550 has all those great qualities of the famous Galaxy V's...and then some! It has new POWER...550 watts SSB, making it the hottest transceiver made! A new single scale VFO Dial makes frequency interpolation child's play...the new skirted knobs make tuning and band-changing a split-second job...and, that slick, king-sized finger-tip tuning knob works like a dream! *Still the most compact—only 11¼ x 12¾ x 6"!*

P.S. Sounds unbelievable but it's an even HOTTER receiver than our previous Galaxy V's!

Space prevents telling you all about the handsome, matched accessories line. Write for a free brochure that's loaded with exciting news!



# **GALAXY ELECTRONICS**

"Pacesetter in Amateur/Commercial Equipment Design"

10 South 34th Street • Dept. HH1 • Council Bluffs, Iowa 51501